



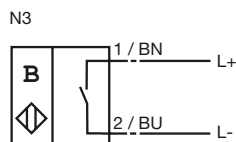
Model Number

MC-F1-N3

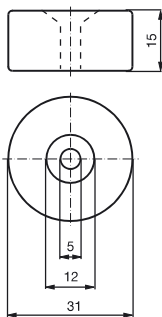
Features

- Comfort series
- 40 mm embeddable

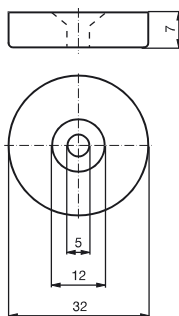
Connection



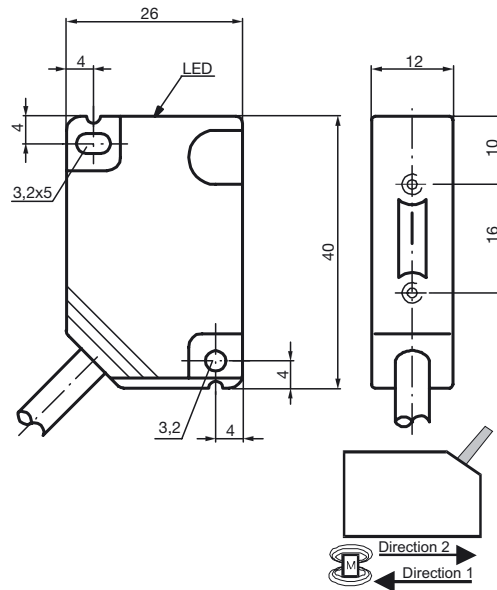
Magnet DM 60-31-15



Magnet DM 25-32-07



Dimensions



Technical Data

General specifications

Switching element function	NAMUR
Rated operating distance	s_n 40 mm
Installation	embeddable
Output polarity	NAMUR
Assured operating distance	s_a 35 ... 42 mm
Passage speed	v \leq 10 m/s

Nominal ratings

Nominal voltage	U_o 8 V
Operating voltage	U_B 5 ... 25 V
Reverse polarity protection	protected against reverse polarity
Short-circuit protection	no
Current consumption	
Direction 1	\leq 1 mA
Direction 2	\geq 3 mA
Indication of the switching state	LED, yellow

Standard conformity

EMC in accordance with	EN 60947-5-2
Standards	DIN EN 60947-5-6 (NAMUR)

Ambient conditions

Ambient temperature	-25 ... 100 °C (248 ... 373 K)
Storage temperature	-40 ... 100 °C (233 ... 373 K)

Mechanical specifications

Connection type	2 m, PVC cable
Core cross-section	0.34 mm ²
Housing material	PBT
Sensing face	PBT
Protection degree	IP67

ATEX

Data for Ex areas

Effective internal inductivity	C_i	$\leq 210 \text{ nF}$
Effective internal inductance	L_i	$\leq 3200 \mu\text{H}$

Release date: 2002-11-07 11:30 Date of issue: 2008-06-30 030752_ENG.xml