



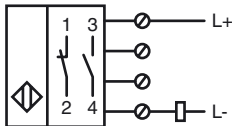
Model Number

NCN40+U1+Z2

Features

- Comfort series
- 40 mm non-flush

Connection

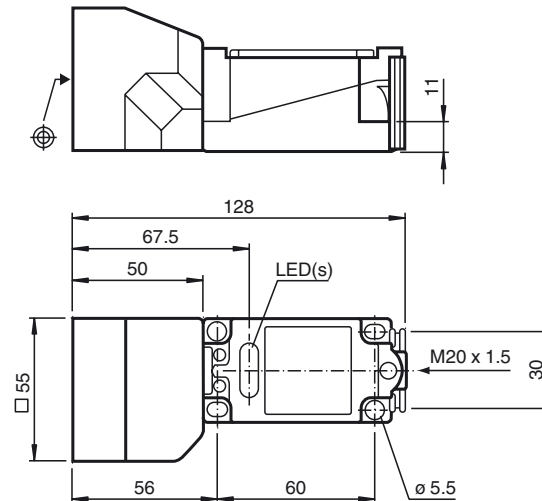


Accessories

MHW 01

Modular mounting bracket

Dimensions



Technical Data

General specifications

Switching element function	DC	NO/NC
Rated operating distance	s_n	40 mm
Installation	non-flush	
Output polarity	DC	
Assured operating distance	s_a	0 ... 32.4 mm
Reduction factor r_{AI}	0.45	
Reduction factor r_{Cu}	0.45	
Reduction factor r_{304}	0.8	

Nominal ratings

Operating voltage	U_B	5 ... 60 V
Switching frequency	f	0 ... 100 Hz
Hysteresis	H	1 ... 10 typ. 5 %
Reverse polarity protected	tolerant	
Short-circuit protection	pulsing	
Voltage drop	U_d	≤ 5 V
Operating current	I_L	2 ... 200 mA
Lowest operating current	I_m	2 mA
Off-state current	I_r	0 ... 1 mA typ. 0.7 mA
Indication of the switching state	LED, yellow	

Functional safety related parameters

MTTF _d	880 a
Mission Time (T_M)	20 a
Diagnostic Coverage (DC)	0 %

Ambient conditions

Ambient temperature	-25 ... 70 °C (-13 ... 158 °F)
Storage temperature	-25 ... 85 °C (-13 ... 185 °F)

Mechanical specifications

Connection type	screw terminals
Core cross-section	up to 2.5 mm ²
Housing material	PBT
Sensing face	PBT
Protection degree	IP68

Compliance with standards and directives

Standard conformity	
Standards	EN 60947-5-2:2007 IEC 60947-5-2:2007

Approvals and certificates

UL approval	cULus Listed, General Purpose
CSA approval	cCSAus Listed, General Purpose
CCC approval	Certified by China Compulsory Certification (CCC)