



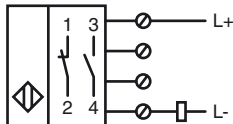
### Model Number

NCB15+U1+Z2

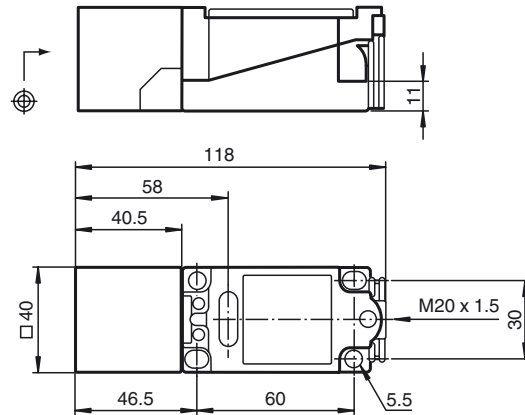
### Features

- Comfort series
- 15 mm flush

### Connection



### Dimensions



### Technical Data

#### General specifications

Switching element function		DC	NO/NC
Rated operating distance	$s_n$	15 mm	
Installation		flush	
Output polarity		DC	
Assured operating distance	$s_a$	0 ... 12.15 mm	
Reduction factor $r_{AI}$		0.28	
Reduction factor $r_{Cu}$		0.25	
Reduction factor $r_{304}$		0.75	

#### Nominal ratings

Operating voltage	$U_B$	5 ... 60 V	
Switching frequency	$f$	0 ... 400 Hz	
Hysteresis	$H$	1 ... 10 typ. 5 %	
Reverse polarity protected		tolerant	
Short-circuit protection		pulsing	
Voltage drop	$U_d$	$\leq 5$ V	
Operating current	$I_L$	2 ... 200 mA	
Lowest operating current	$I_m$	2 mA	
Off-state current	$I_r$	0 ... 1 mA typ. 0.7 mA	
Indication of the switching state		LED, yellow	

#### Ambient conditions

Ambient temperature	-25 ... 70 °C (-13 ... 158 °F)
Storage temperature	-25 ... 85 °C (-13 ... 185 °F)

#### Mechanical specifications

Connection type	terminal compartment
Core cross-section	up to 2.5 mm <sup>2</sup>
Housing material	PBT
Sensing face	PBT
Protection degree	IP68

#### Compliance with standards and directives

Standard conformity	
Standards	EN 60947-5-2:2007 IEC 60947-5-2:2007

#### Approvals and certificates

UL approval	cULus Listed, General Purpose
CSA approval	cCSAus Listed, General Purpose
CCC approval	Certified by China Compulsory Certification (CCC)