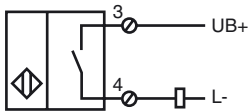
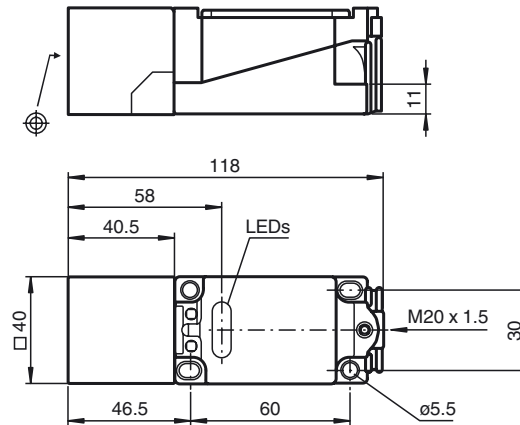




CE

Model Number

NCN20+U1+Z0

Connection**Dimensions****Technical Data****General specifications**

Switching element function		DC	NO
Rated operating distance	s_n	20 mm	
Installation		non-flush	
Assured operating distance	s_a	0 ... 16.2 mm	
Reduction factor r_{Al}		0.37	
Reduction factor r_{Cu}		0.35	
Reduction factor r_{304}		0.79	

Nominal ratings

Operating voltage	U_B	5 ... 60 V
Switching frequency	f	0 ... 50 Hz
Hysteresis	H	1 ... 10 typ. 5 %
Reverse polarity protected		tolerant
Short-circuit protection		pulsing
Voltage drop	U_d	≤ 5 V
Operating current	I_L	2 ... 200 mA
Lowest operating current	I_m	2 mA
Off-state current	I_r	0 ... 1 mA typ. 0.7 mA
Indication of the switching state		LED, yellow
Pre-fault indication		Z0: LED red

Standard conformity

Standards	IEC / EN 60947-5-2:2004
-----------	-------------------------

Ambient conditions

Ambient temperature	-25 ... 70 °C (-13 ... 158 °F)
Storage temperature	-25 ... 85 °C (-13 ... 185 °F)

Mechanical specifications

Core cross-section	up to 2.5 mm ²
Housing material	PBT
Sensing face	PBT
Protection degree	IP68