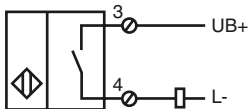
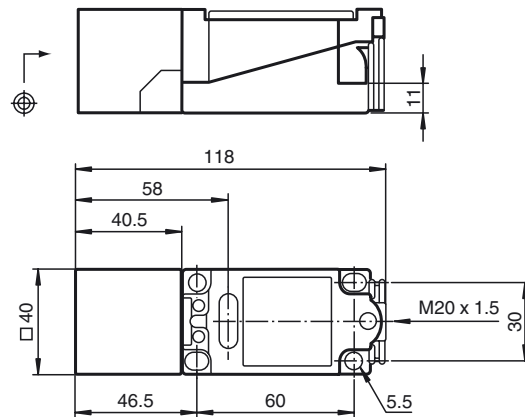




CE

**Model Number**

NCB15+U1+Z0

**Connection****Dimensions****Technical Data****General specifications**

Switching element function		DC	NO
Rated operating distance	$s_n$	15 mm	
Installation		flush	
Assured operating distance	$s_a$	0 ... 12.15 mm	
Reduction factor $r_{Al}$		0.28	
Reduction factor $r_{Cu}$		0.25	
Reduction factor $r_{304}$		0.75	

**Nominal ratings**

Operating voltage	$U_B$	5 ... 60 V	
Switching frequency	$f$	0 ... 60 Hz	
Hysteresis	$H$	1 ... 10 typ. 5 %	
Reverse polarity protected		tolerant	
Short-circuit protection		pulsing	
Voltage drop	$U_d$	$\leq 5$ V	
Operating current	$I_L$	2 ... 200 mA	
Lowest operating current	$I_m$	2 mA	
Off-state current	$I_r$	0 ... 1 mA typ. 0.7 mA	
Indication of the switching state		LED, yellow	
Pre-fault indication		Z0: LED red	

**Standard conformity**

Standards	IEC / EN 60947-5-2:2004
-----------	-------------------------

**Ambient conditions**

Ambient temperature	-25 ... 70 °C (-13 ... 158 °F)
Storage temperature	-25 ... 85 °C (-13 ... 185 °F)

**Mechanical specifications**

Core cross-section	up to 2.5 mm <sup>2</sup>
Housing material	PBT
Sensing face	PBT
Protection degree	IP68