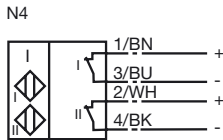




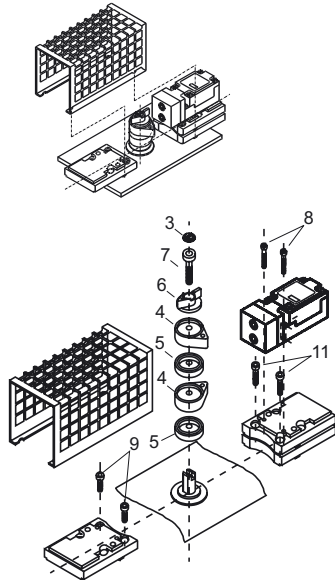
**Model Number**

NCN4-M3K-N4

**Connection**

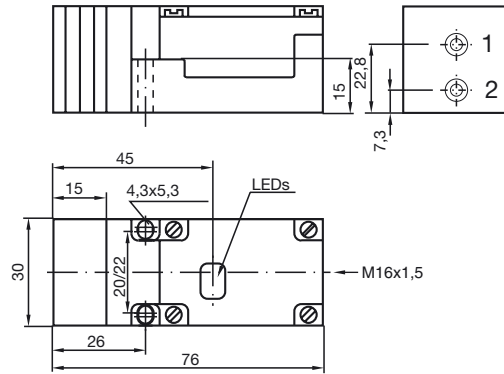


**Mounting set BT-M3K-1**



Pos.	Qty	Designation
1	2	Universal carrier
2	1	Universal carrier with M4 threaded bush
3	1	Cover
4	2	Cam, thick
5	2	Intermediale cam, thin
6	1	Position indicator
7	1	Hexagon socket-head screw M6x40
8	2	ScrewM4x25
9	2	Hexagon socket-head screw M5x16
10	1	Protection cage
11	2	Hexagon socket-head screw M5x22

**Dimensions**



**Technical Data**

**General specifications**

Switching element function	DCDual Break function
Rated operating distance	$s_n$ 4 mm
Installation	not embeddable
Assured operating distance	$s_a$ 0 ... 3.8 mm
Reduction factor $r_{Al}$	0.37
Reduction factor $r_{Cu}$	0.36
Reduction factor $r_{V2A}$	0.74

**Nominal ratings**

**Mounting conditions**

A	12 mm
B	90 mm
C	12 mm
D	12 mm
E	12 mm
F	6 mm
G	0 mm

Nominal voltage	$U_o$ 8 V
Switching frequency	f 0 ... 200 Hz
Hysteresis	H 2 ... 15 typ. 6 %
Reverse polarity protection	protected against reverse polarity
Short-circuit protection	yes
Current consumption	
Measuring plate not detected	$\geq 3$ mA
Measuring plate detected	$\leq 1$ mA
Indication of the switching state	LED, yellow

**Standard conformity**

EMC in accordance with	IEC / EN 60947-5-2:2004
Standards	DIN EN 60947-5-6 (NAMUR)

**Ambient conditions**

Ambient temperature	-25 ... 70 °C (248 ... 343 K)
Storage temperature	-40 ... 85 °C (233 ... 358 K)

**Mechanical specifications**

Connection type	terminal compartment
Core cross-section	up to 2.5 mm <sup>2</sup>
Housing material	PBT
Sensing face	PBT
Protection degree	IP67

Release date: 2003-06-02 12:10 Date of issue: 2008-06-30 030163\_ENG.xml



**ATEX**

Data for Ex areas

Effective internal inductivity	$C_i$	$\leq 100 \text{ nF}$
Effective internal inductance	$L_i$	$\leq 100 \text{ }\mu\text{H}$

Release date: 2003-06-02 12:10 Date of issue: 2008-06-30 030163\_ENG.xml