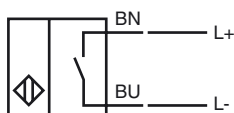
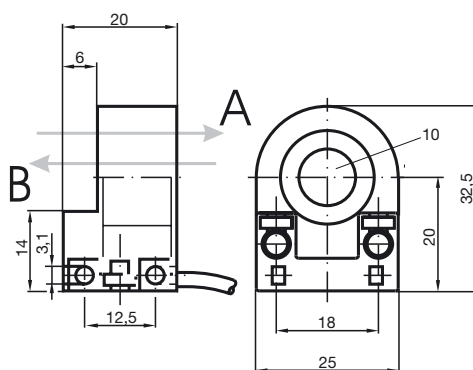




CE

**Model Number**

RC10-14-N3-Y29925

**Connection****Dimensions****Technical Data****General specifications**

Switching element function

Installation

Passage speed  $v \leq 10$  m/s**Nominal ratings**Operating voltage  $U_B$  5 ... 25 VHysteresis  $H$  typ. 1 %

Reverse polarity protected reverse polarity protected

Current consumption

Passage B  $U_B=8V$   $\geq 3$  mAPassage B  $U_B=10V$   $\geq 4.2$  mAPassage A  $U_B=10V$  0.5 ... 1 mA typ. 0.9 mAPassage A  $U_B=8V$  0.5 ... 0.95 mA typ. 0.8 mA**Standard conformity**

Standards DIN EN 60947-5-6 (NAMUR)

**Ambient conditions**Ambient temperature  $-20 \dots 65$  °C ( $-4 \dots 149$  °F)Storage temperature  $-40 \dots 100$  °C ( $-40 \dots 212$  °F)**Mechanical specifications**Core cross-section 0.14 mm<sup>2</sup>

Housing material PBT/PPS

Protection degree IP67

**ATEX**

Data for Ex areas

Effective internal inductivity	$C_i$	$\leq 90 \text{ nF}$
Effective internal inductance	$L_i$	$\leq 120 \mu\text{H}$

Release date: 2012-05-04 09:28 Date of issue: 2012-05-04 029925\_eng.xml