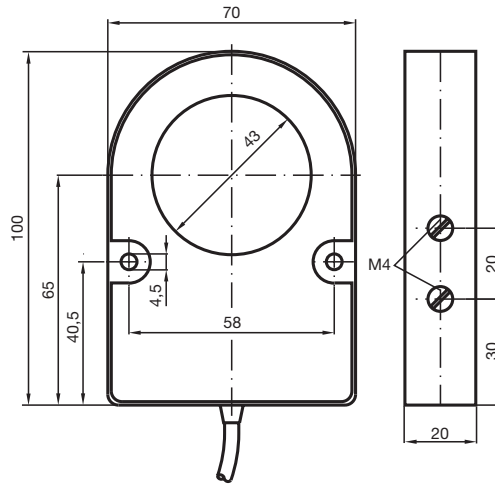


Comfort series
43 mm inside diameter



Switching element function	PNP	Break function
Inside diameter	43 mm	
Installation		
Measuring cylinder		
Diameter	9 mm	
Length	18 mm	
Operating voltage U_B	10 ... 30 V	
Switching frequency f	0 ... 500 Hz	
Reverse polarity protection	yes	
Short circuit protection	pulsing	
Voltage drop U_d	≤ 3 V	
Operating current I_L	0 ... 200 mA	
No-load supply current I_0	≤ 20 mA	
EMC in accordance with	EN 60947-5-2	
Ambient temperature	-25 ... 70 °C (248 ... 343 K)	
Connection type	2 m, PVC cable	
Core cross-section	0.34 mm ²	
Housing material	PBT	
Protection degree	IP67	

Connection_type:

E3

