



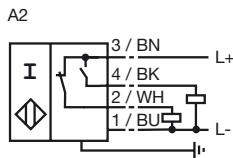
Model Number

NJ50-FP-A2-P1-Y29823

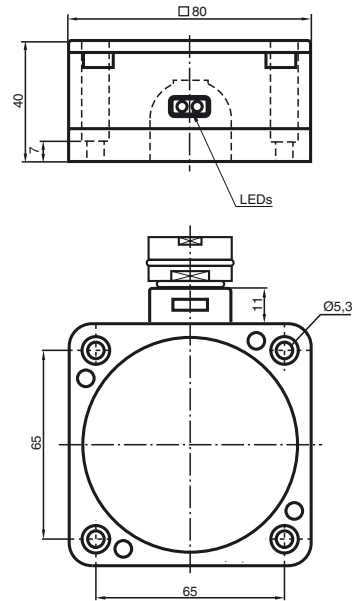
Features

- Comfort series
- 50 mm not embeddable

Connection



Dimensions



Technical Data

General specifications

Switching element function	PNP	Antivalent
Rated operating distance	s_n	50 mm
Installation	not embeddable	
Output polarity	DC	
Assured operating distance	s_a	0 ... 40.5 mm
Reduction factor r_{Al}	0.4	
Reduction factor r_{Cu}	0.3	
Reduction factor r_{V2A}	0.85	

Nominal ratings

Operating voltage	U_B	10 ... 60 V
Switching frequency	f	0 ... 100 Hz
Hysteresis	H	typ. 3 %
Reverse polarity protection	protected against reverse polarity	
Short-circuit protection	pulsing	
Voltage drop	U_d	≤ 3 V
Operating current	I_L	0 ... 200 mA
Off-state current	I_r	0 ... 0.5 mA typ.
No-load supply current	I_0	≤ 20 mA
Operating voltage display	LED, green	
Indication of the switching state	LED, yellow	

Standard conformity

Standards	IEC / EN 60947-5-2:2004
-----------	-------------------------

Ambient conditions

Ambient temperature	-25 ... 70 °C (248 ... 343 K)
---------------------	-------------------------------

Mechanical specifications

Connection type	connector 5PIN 15A250VAC
Housing material	PBT
Sensing face	PBT
Protection degree	IP67

Approvals and certificates

CCC approval	Certified by China Compulsory Certification (CCC)
--------------	---