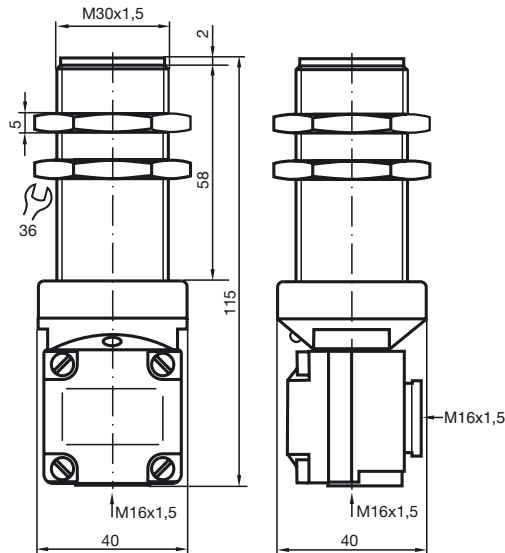


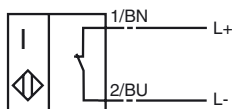
Comfort series  
15 mm not embeddable



General specifications	
Switching element function	NAMUR NC
Rated operating distance $s_n$	15 mm
Installation	not embeddable
Assured operating distance $s_a$	0 ... 12,15 mm
Reduction factor $r_{Al}$	0,4
Reduction factor $r_{Cu}$	0,3
Reduction factor $r_{V2A}$	0,85
Nominal ratings	
Nominal voltage $U_o$	8 V
Switching frequency $f$	0 ... 100 Hz
Current consumption	
Measuring plate not detected	$\geq 3$ mA
Measuring plate detected	$\leq 1$ mA
Standard conformity	
EMC in accordance with	EN 60947-5-2
Standards	DIN EN 60947-5-6 (NAMUR)
Ambient conditions	
Ambient temperature	-50 ... 30 °C (223 ... 303 K)
Mechanical specifications	
Connection type	terminal compartment
Core cross-section	up to 2.5 mm <sup>2</sup>
Housing material	PBT
Sensing face	PBT
Protection degree	IP67

Connection type:

N / NO



## ATEX

Data for Ex areas

Effective internal inductivity  $C_i$   $\leq 160$  nF

Effective internal inductance  $L_i$   $\leq 65$   $\mu$ H

## Important notes

The **reduction factora** only apply to -25 °C.

**NAMUR** data need not be observed below -25 °C.

The guaranteed switching distance  $s_n$  is 0 ... 10.5 mm at -25 °C ... -50 °C