



Model Number

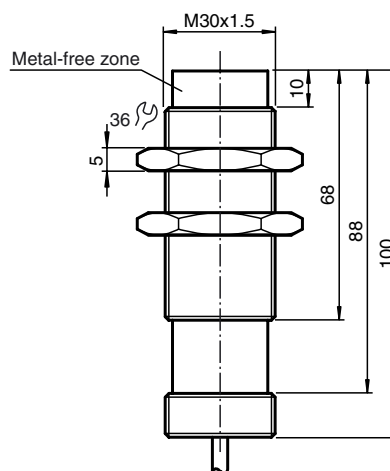
IVH-30GM-EXM

Read/write head for Ex-area

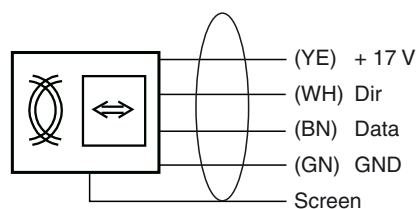
Features

- With thread M30 x 1.5
- Encapsulation
- Certificate of conformity
- 15 m connection cable
- Protection degree IP67
- With flexible conduit connector

Dimensions



Electrical connection



Technical data

General specifications

Operating frequency	250 kHz
Transfer rate	7.8 kBit/s

Electrical specifications

Rated operational voltage	U_e	17 V DC
Power consumption	P_0	max. 1 W
Type of protection	encapsulated, EEx m II T4	

Ambient conditions

Ambient temperature	-25 ... 70 °C (248 ... 343 K)
Storage temperature	-25 ... 85 °C (248 ... 358 K)

Mechanical specifications

Protection degree	IP67 according to EN 60529
Connection	15 m, Munflex-PUR Special (11 Y), black, screened, 4 x 0.5 mm ²

Material

Housing	stainless steel, PC
---------	---------------------

Installation

In metal	not embeddable, overshoot at least 10 mm
Distance between two heads	≥ 300 mm

Notes

Available to 30.06.2003