



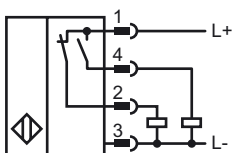
Model Number

SJ30-A2-V1-Y26178

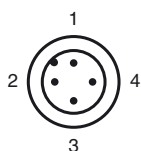
Features

- Comfort series
- 30 mm slot width

Connection



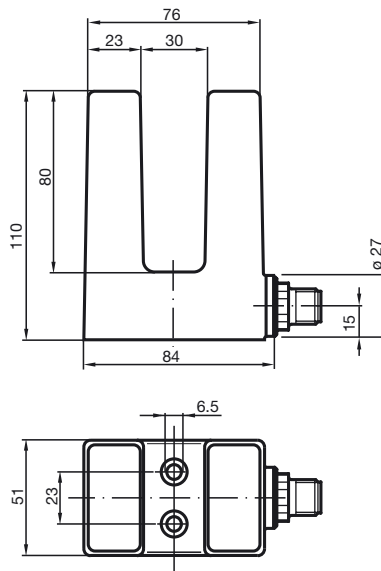
Pinout



Wire colors in accordance with EN 60947-5-2

1	BN
2	WH
3	BU
4	BK

Dimensions



Technical Data

General specifications

Switching element function	PNP	NO/NC
Slot width	30 mm	
Depth of immersion (lateral)	27 ... 31 typ.	
Installation		
Output polarity	DC	

Nominal ratings

Operating voltage	U_B	10 ... 30 V
Switching frequency	f	0 ... 150 Hz
Reverse polarity protected	reverse polarity protected	
Short-circuit protection	pulsing	
Voltage drop	U_d	≤ 3 V
Operating current	I_L	0 ... 200 mA
No-load supply current	I_0	≤ 20 mA

Ambient conditions

Ambient temperature	-25 ... 70 °C (-13 ... 158 °F)
---------------------	--------------------------------

Mechanical specifications

Connection type	Device connector M12 x 1, 4-pin
Housing material	ABS
Protection degree	IP67

Compliance with standards and directives

Standard conformity	
Standards	EN 60947-5-2:2007 IEC 60947-5-2:2007

Approvals and certificates

UL approval	cULus Listed, General Purpose
CSA approval	cCSAus Listed, General Purpose

Release date: 2010-11-04 16:07 Date of issue: 2010-11-05 026178_ENG.xml