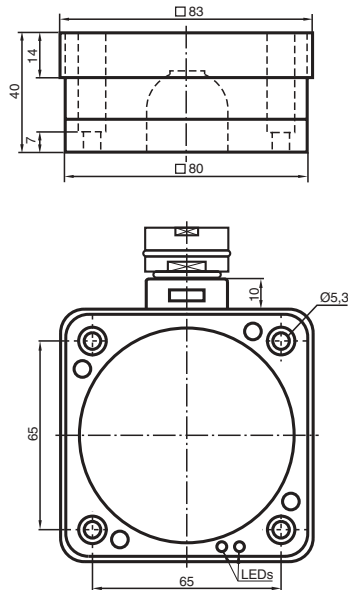
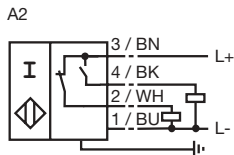


Comfort series
40 mm embeddable



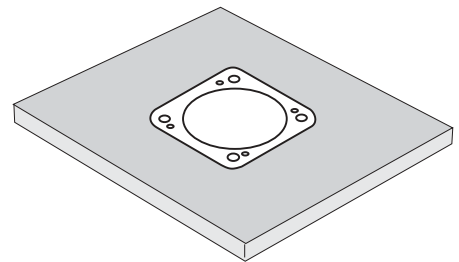
Switching element function	PNP Antivalent
Rated operating distance s_n	40 mm
Installation	embeddable
Assured operating distance s_a	0 ... 32,4 mm
Reduction factor r_{AI}	0,38
Reduction factor r_{Cu}	0,38
Reduction factor r_{V2A}	0,83
Operating voltage U_B	10 ... 60 V
Switching frequency f	0 ... 100 Hz
Hysteresis H	0 ... 5 typ. 3 %
Reverse polarity protection	Protected against reverse polarity
Short circuit protection	pulsing
Voltage drop U_d	Ω 3 V
Operating current I_L	0 ... 200 mA
No-load supply current I_0	Ω 20 mA
Operating voltage display	LED, green
Indication of the switching state	LED, yellow
Standards	EN 60947-5-2
Ambient temperature	-25 ... 70 °C (248 ... 343 K)
Connection type	connector 5PIN 15A250VAC
Housing material	PBT
Sensing face	PBT
Protection degree	IP67

Connection_type:



These sensors are especially designed for embeddable mounting in conveyor floors. Due to its precise location in metal base plates the sensor is afforded a high degree of mechanical protection. No clearance is required between the sensor and the base plate, avoiding the need for protective guarding to prevent possible foot injury.

The large sensing range ensures positive detection, and thus provides consistent control and monitoring of the conveyor.



Warning!
Once the metal screening has been removed, the sensor can no longer be embeddable mounted.