



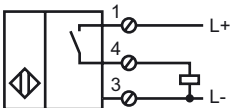
### Model Number

NJ40+U1+E2-C

### Features

- For use in direct- and alternating-field welding systems
- 40 mm not embeddable

### Connection



### Accessories

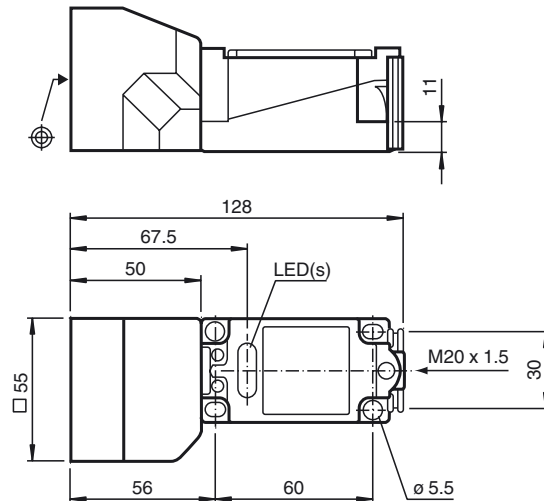
**V1-M20-80**  
Receptacles

**V1-G**  
Field attachable female cordset

**V1-W**  
Field attachable female cordset

**MHW 01**  
Mounting aid

### Dimensions



### Technical Data

#### General specifications

Switching element function		PNP	NO
Rated operating distance	$s_n$	40 mm	
Installation		not embeddable	
Output polarity		DC	
Assured operating distance	$s_a$	0 ... 32.4 mm	
Reduction factor $r_{Al}$		0.4	
Reduction factor $r_{Cu}$		0.3	
Reduction factor $r_{V2A}$		0.85	

#### Nominal ratings

Operating voltage	$U_B$	10 ... 60 V	
Switching frequency	$f$	0 ... 10 Hz	
Hysteresis	$H$	typ. 3 %	
Reverse polarity protected		reverse polarity protected	
Short-circuit protection		pulsing	
Voltage drop	$U_d$	$\leq 3$ V	
Operating current	$I_L$	0 ... 200 mA	
No-load supply current	$I_0$	$\leq 20$ mA	
Alternating magnetic field	$B$	180 mT	
Operating voltage display		LED, green	
Indication of the switching state		LED, yellow	

#### Ambient conditions

Ambient temperature		-25 ... 70 °C (-13 ... 158 °F)
---------------------	--	--------------------------------

#### Mechanical specifications

Connection type		screw terminals
Core cross-section		up to 2.5 mm <sup>2</sup>
Housing material		PBT
Sensing face		PBT
Protection degree		IP68

#### Compliance with standards and directives

Standard conformity		
Standards		EN 60947-5-2:2007 IEC 60947-5-2:2007

#### Approvals and certificates

UL approval		cULus Listed, General Purpose
CSA approval		cCSAus Listed, General Purpose