



Model Number

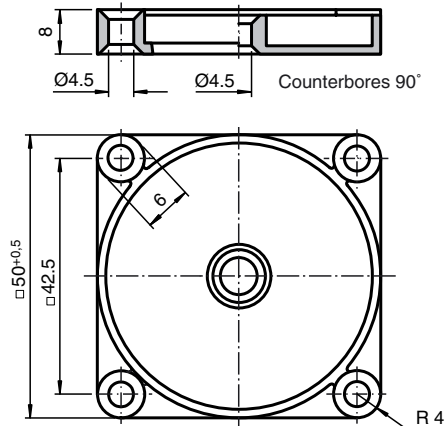
ICC-50F

Code carrier

Features

- Battery-free code carrier
- 28 bit fix code
- Protection degree IP67
- With mounting flange

Dimensions



Technical data

General specifications

Operating frequency	250 kHz
Transfer rate	7.8 kBit/s

Memory

Type/Size	ROM 64 bit (28 bit code, 36 bit data security)
Read cycles	unlimited

Ambient conditions

Ambient temperature	-25 ... 70 °C (-13 ... 158 °F)
Storage temperature	-40 ... 85 °C (-40 ... 185 °F)

Mechanical specifications

Protection degree	IP67 according to EN 60529
Material	
Housing	PBT
Encapsulation compound	CY 221/HY 2966

Notes

the code carrier is read, when the surface bearing the Pepperl+Fuchs logo is facing the read head.