

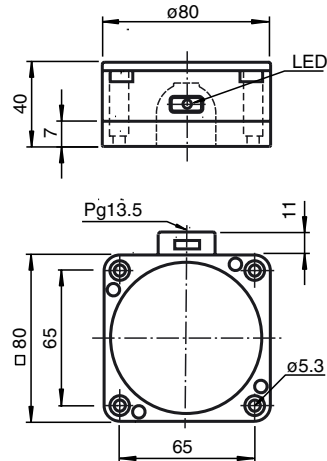
**Model number**

IRH-FP3

Read head

Features

- Connection via terminal compartment
- Dual-LED for function display
- Protection degree IP67

Dimensions**Technical data****General specifications**

Distance	distance tables, see introduction
----------	-----------------------------------

Indicators/operating means

LED green/yellow	green: Power on yellow: code carrier detected
------------------	--

Electrical specifications

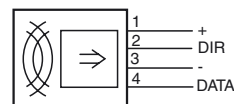
Power consumption	P_0	1.3 W
-------------------	-------	-------

Ambient conditions

Ambient temperature	-25 ... 70 °C (248 ... 343 K)
Storage temperature	-40 ... 85 °C (233 ... 358 K)

Mechanical specifications

Protection degree	IP67 according to EN 60529
Connection	terminal compartment, $\leq 2.5 \text{ mm}^2$ conductor csa
Material	
Housing	PBT
Lower section	metal
Installation	
In metal	not embeddable, overshoot at least 10 mm
Distance between two heads	$\geq 500 \text{ mm}$

Electrical connection**Notes**

The read heads cannot be installed flush in a metal surface, since this reduces the read distance. In order to avoid mutual interference, the distance between two read heads should be at least 500 mm.