



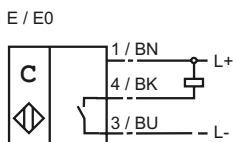
Model Number

CJ40-FP-E-P1

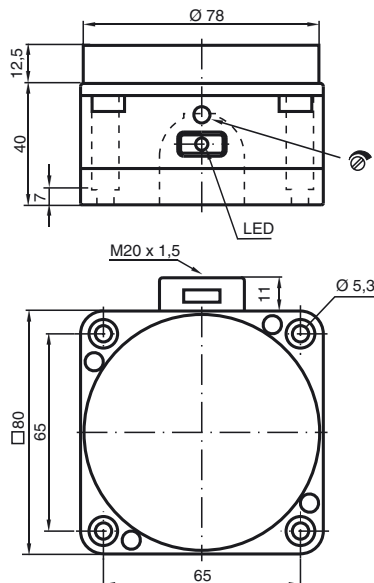
Features

- Comfort series
- 40 mm not embeddable
- The switching distance can be set over a wide range with the potentiometer

Connection



Dimensions



Technical Data

General specifications

Switching element function	NPN	NO
Rated operating distance	s_n	40 mm
Installation	not embeddable	
Output polarity	DC	
Assured operating distance	s_a	0 ... 32.4 mm

Nominal ratings

Operating voltage	U_B	10 ... 30 V
Switching frequency	f	0 ... 10 Hz
Reverse polarity protected	reverse polarity protected	
Short-circuit protection	pulsing	
Voltage drop	U_d	≤ 3 V
Operating current	I_L	0 ... 200 mA
No-load supply current	I_0	≤ 20 mA
Indication of the switching state	LED, red	

Standard conformity

EMC in accordance with	IEC / EN 60947-5-2:1999
------------------------	-------------------------

Ambient conditions

Ambient temperature	-25 ... 70 °C (-13 ... 158 °F)
---------------------	--------------------------------

Mechanical specifications

Connection type	screw terminals
Core cross-section	up to 2.5 mm ²
Housing material	PBT/PPS
Sensing face	PBT
Housing base	PBT
Protection degree	IP65

Release date: 2011-08-16 09:55 Date of issue: 2011-08-16 022497_eng.xml