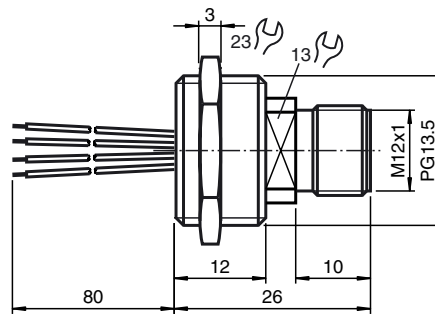




**Dimensions**



**Model Number**

**V1-PG13,5-Y21270**  
 Receptacles, M12/PG13.5, 4-pin; plastic version

**Features**

- Plastic version
- Front/screw mounting
- M12 plug can be mounted in any position

**Technical data**

**General specifications**

Number of pins	4
Connection 1	Male connector
Construction type 1	straight
Threading 1	M12
Connection 2	cable end

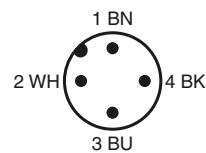
**Mechanical specifications**

Protection degree	IP67 when sealing with O-Ring
Connection	Single strand leads with connector sleeves
Material	
Connector	plastic
Core insulation	PVC
Cable	
Cores	4 x 0.25 mm <sup>2</sup>
Length	L 80 mm

**Compliance with standards and directives**

Standard conformity	
Protection degree	EN 60529

**Electrical connection**



**Note**

O-ring (13,3 x 2,4) and lock nut are included in the delivery package.

Release date: 2012-01-18 10:34 Date of issue: 2012-01-18 021270\_eng.xml