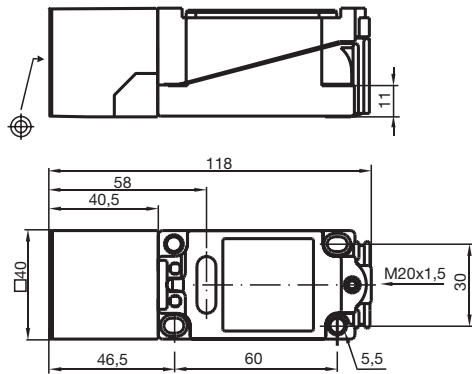
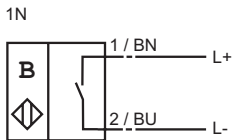


Comfort series  
25 mm embeddable

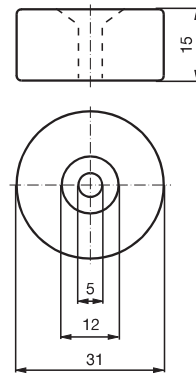


Switching element function	NAMUR NO
Rated operating distance $s_n$	25 mm
Installation	embeddable
Assured operating distance $s_a$	0 ... 25 mm
Nominal voltage $U_o$	8 V
Switching frequency $f$	0 ... 500 Hz
Current consumption	
Magnet detected	$\geq 3$ mA
Magnet not detected	$\leq 1$ mA
EMC in accordance with	EN 60947-5-2
Standards	DIN EN 60947-5-6 (NAMUR)
Ambient temperature	-25 ... 70 °C (248 ... 343 K)
Connection type	terminal compartment
Core cross-section	up to 2.5 mm <sup>2</sup>
Housing material	PBT
Sensing face	PBT
Protection degree	IP67

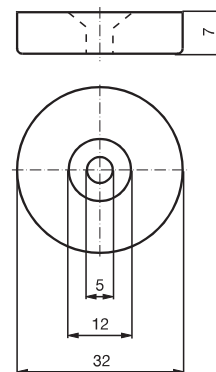
**Connection\_type:**



**Magnet DM 60-31-15**



**Magnet DM 25-32-07**



## Data for Ex areas

Effective internal inductivity $C_i$	$\leq 42 \text{ nF}$
Effective internal inductance $L_i$	$\leq 30 \text{ }\mu\text{H}$