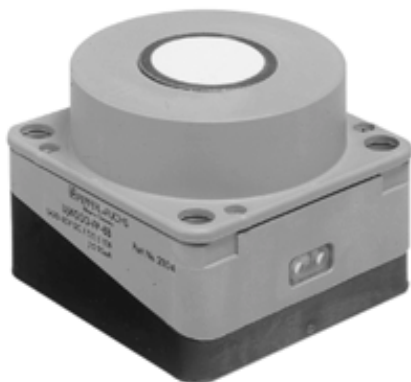


Ultrasonic sensor UJ4000-FP-8B

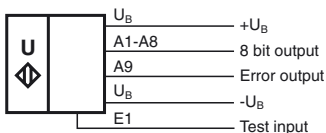


Features

- 8 bit output
- Absolute polarity reversal protection
- Test input
- Fault output

Electrical connection

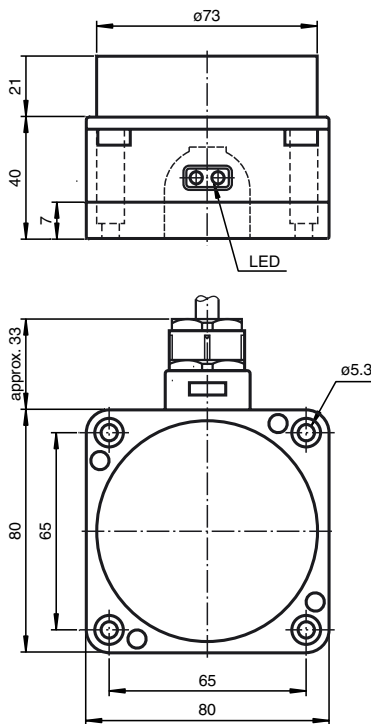
Standard symbol/Connection:



Legend:

U_{B+} = Brown	A3 = Pink
U_{B-} = Blue	A4 = Red
	A5 = Green
Test input	A6 = Grey
E1 = Grey/Pink	A7 = Black
	A8 = Violet
8 bit output	
A1 = White	Error output
A2 = Yellow	A9 = Red/Blue

Dimensions



Technical data



General specifications

Sensing range	500 ... 4000 mm
Unusable area	0 ... 500 mm
Standard target plate	100 mm x 100 mm
Transducer frequency	approx. 90 kHz
Response delay	≤ 140 ms

Indicators/operating means

LED red/green

green LED: Power on
red LED, flashing at 2 Hz: error (high level of external noise)

Electrical specifications

Operating voltage	20 ... 30 V DC, ripple 10 % _{SS}
No-load supply current I_0	≤ 90 mA

Input

Input type 1 test input, ($-U_B + 5$ V) up to $+U_B$, ≤100 kOhm

Output

Output type 8 bit output for outputting object distance, pnp
1 fault output, pnp NC

Resolution	14 mm, (corresponding to 1 LSB)
Repeat accuracy	14 mm, (corresponding to 1 LSB)
Rated operational current I_e	20 mA, short-circuit/overload protected
Voltage drop U_d	≤ 4 V
Range hysteresis H	14 mm, (corresponding to 1 LSB)
Temperature influence	0.17 % / K

Standard conformity

Standards EN 60947-5-2

Ambient conditions

Ambient temperature	-10 ... 50 °C (263 ... 323 K)
Storage temperature	-40 ... 85 °C (233 ... 358 K)

Mechanical specifications

Protection degree	IP65
Connection	2 m, cable, 12 x 0.14 mm ² , cast terminal compartment
Material	
Housing	PBT
Transducer	epoxy resin/hollow glass sphere mixture; polyurethane foam
Mass	430 g

Notes

Function

The measurement of the distance is realised using the echo time of the ultrasonic pulse. The μ processor calculates the distance on the basis of the echo time and the speed of sound. The distance is directly issued in parallel in the form of an 8-bit data word.

This data word can be used for subsequent evaluation by downstream program logic such as a PLC.

In the event of noise that the sensor cannot handle, the sensor goes into failure mode in that the failure output opens and the 8-bit output retains the most recent measuring value. The dual LED goes into the red flashing state.

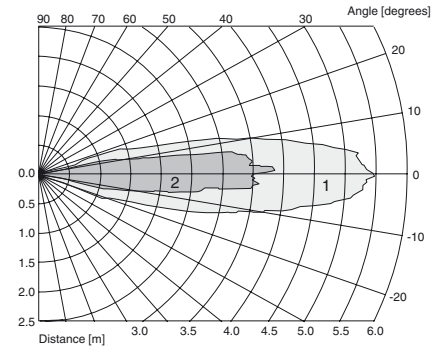
A 1 level at the test input causes the 8-bit output to switch from 00000000 to 11111111 and back every 200 ms.

Model number

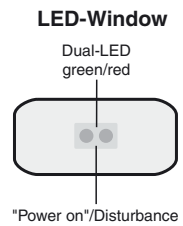
UJ4000-FP-8B

Characteristic curves/additional information

Characteristic response curves



Curve 1: flat surface 100 mm x 100 mm
Curve 2: round bar, \varnothing 25 mm



Accessories

Mounting aid

MH 04-3505
MHW 11