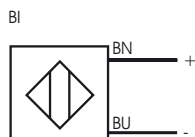
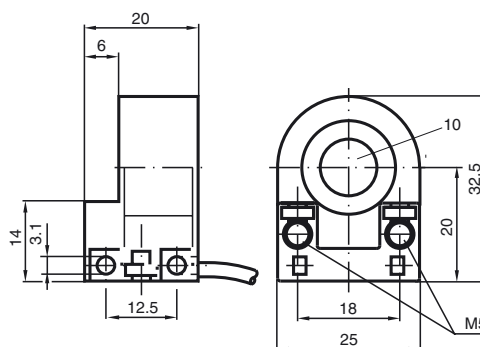




CE

Model Number

RJ10-BI-Y20593

Connection**Dimensions****Technical Data****General specifications**

Switching element function	NAMUR, bistable
Installation	non-flush
Inside diameter	10 mm
Measuring cone	1/8" (3.175mm)
Material	SS18
Passage speed	v ≤ 10 m/s

Nominal ratings

Operating voltage	U_B	5 ... 25 V
Hysteresis	H	typ. 1 %
Reverse polarity protected		reverse polarity protected
Current consumption		
Passage B $U_B=8V$		≥ 3 mA
Passage B $U_B=10V$		≥ 4.2 mA
Passage A $U_B=10V$		0.5 ... 1 mA typ. 0.9 mA
Passage A $U_B=8V$		0.5 ... 0.95 mA typ. 0.8 mA

Standard conformity

Standards	DIN EN 60947-5-6 (NAMUR)
-----------	--------------------------

Ambient conditions

Ambient temperature	10 ... 40 °C (50 ... 104 °F)
---------------------	------------------------------

Mechanical specifications

Core cross-section	0.14 mm ²
Housing material	PC
Protection degree	IP67



ATEX

Data for Ex areas

Effective internal inductivity	C_i	≤ 90 nF
Effective internal inductance	L_i	≤ 20 μ H

Release date: 2012-05-04 09:22 Date of issue: 2012-05-04 020593_eng.xml