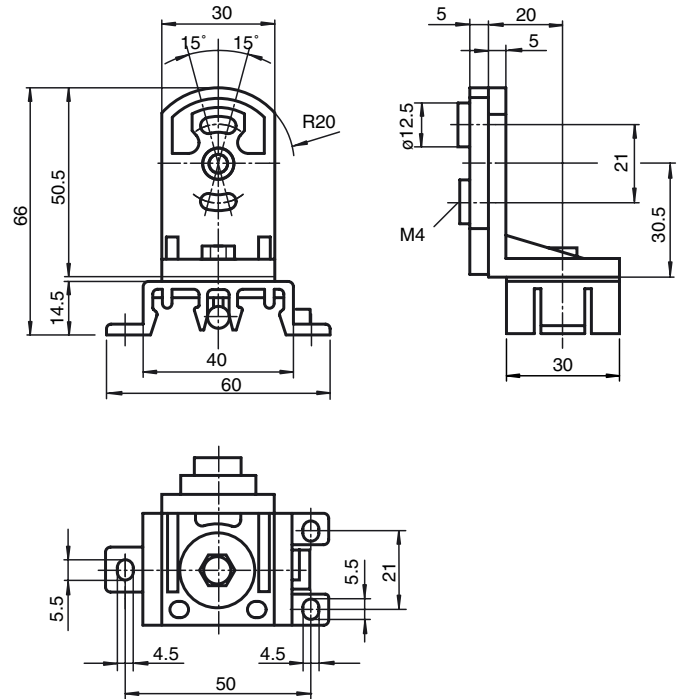


Dimensions



Model number

OMH 4-4950

Retainer

Features

- Simple installation and exact setting
- Infinitely variable, may be inclined by $\pm 15^\circ$
- Can be infinitely rotated horizontally through 360°

Technical data

Mechanical specifications

Material	plastic
Mass	approx. 50 g
Mounting	Mounting accessories included

Suitable series

Series	VariKont M
--------	------------