



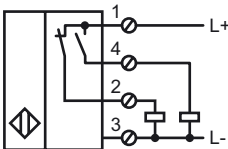
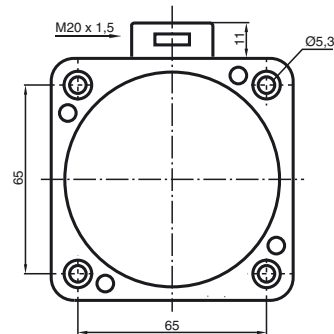
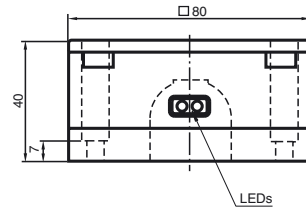
CE

Model Number

NJ40-FP-A2-T-P1

Features

- Temperature range
-25 ... 100 °C (-13 ... 212 °F)
- 40 mm not embeddable

Connection**Dimensions****Technical Data****General specifications**

Switching element function		PNP	NO/NC
Rated operating distance	s_n	40 mm	
Installation		not embeddable	
Output polarity		DC	
Assured operating distance	s_a	0 ... 32.4 mm	
Reduction factor r_{Al}		0.4	
Reduction factor r_{Cu}		0.3	
Reduction factor r_{V2A}		0.85	

Nominal ratings

Operating voltage	U_B	10 ... 60 V	
Switching frequency	f	0 ... 100 Hz	
Hysteresis	H	typ. 3 %	
Reverse polarity protected		reverse polarity protected	
Short-circuit protection		pulsing	
Voltage drop	U_d	≤ 3 V	
Operating current	I_L	0 ... 200 mA	
No-load supply current	I_0	≤ 20 mA	
Operating voltage display		LED, green	
Indication of the switching state		LED, yellow	

Standard conformity

Standards	IEC / EN 60947-5-2:2004
-----------	-------------------------

Ambient conditions

Ambient temperature	-25 ... 100 °C (-13 ... 212 °F)
---------------------	---------------------------------

Mechanical specifications

Connection type	
Core cross-section	up to 2.5 mm ²
Housing material	PBT
Sensing face	PBT
Protection degree	IP67