



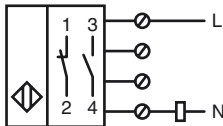
Model Number

NJ30+U2+W

Features

- Limit switch style housing
- 2-wire AC

Connection

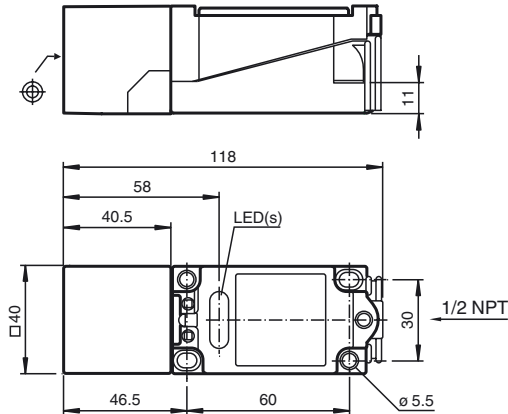


Accessories

MHW 01

Modular mounting bracket

Dimensions



Technical Data

General specifications

Switching element function		AC	NO/NC
Rated operating distance	s_n	30 mm	
Installation		non-flush	
Output polarity		AC	
Assured operating distance	s_a	0 ... 24.3 mm	
Reduction factor r_{Al}		0.45	
Reduction factor r_{Cu}		0.4	
Reduction factor r_{304}		0.8	

Nominal ratings

Operating voltage	U_B	20 ... 253 V ¹⁾	
Switching frequency	f	0 ... 20 Hz	
Hysteresis	H	1 ... 10 typ. 5 %	
Voltage drop	U_d	≤ 5 V	
Momentary current (20 ms, 0.1 Hz)		0 ... 3000 mA	
Operating current	I_L	8 ... 500 mA	
Off-state current	I_r	0.5 ... 1.95 mA typ. 1.2 mA	
Operating voltage display		LED, green	
Indication of the switching state		LED, yellow	

Ambient conditions

Ambient temperature	-25 ... 70 °C (-13 ... 158 °F)
Storage temperature	-25 ... 85 °C (-13 ... 185 °F)

Mechanical specifications

Connection type	screw terminals
Core cross-section	≤ 2.5 mm ²
Housing material	PBT housing/PBT base
Sensing face	PBT
Protection degree	IP68
Note	¹⁾ In the temperature range below 0 °C, permissible operating voltage U_B 80...253 V Safety fuse ≤ 2 A (quick-blow) according to IEC 60127-2 Sheet 1 Recommendation: after a short circuit, check that the device is functioning correctly.

Compliance with standards and directives

Standard conformity	
Standards	EN 60947-5-2:2007 IEC 60947-5-2:2007

Approvals and certificates

UL approval	cULus Listed, General Purpose
CSA approval	cCSAus Listed, General Purpose