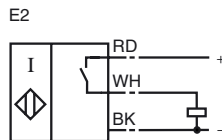
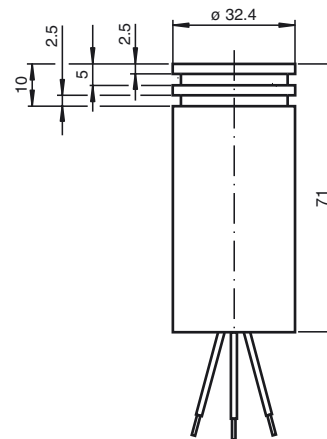


**Model Number**

NJ10-36GM-E2-E38

**Features**

- 10 mm embeddable

**Connection****Dimensions****Technical Data****General specifications**

Switching element function		PNP	NO
Rated operating distance	$s_n$	10 mm	
Installation		embeddable	
Output polarity		DC	
Assured operating distance	$s_a$	0 ... 8.1 mm	
Reduction factor $r_{Al}$		0.32	
Reduction factor $r_{Cu}$		0.32	
Reduction factor $r_{V2A}$		0.72	
Reduction factor $r_{Brass}$		0.43	

**Nominal ratings**

Operating voltage	$U_B$	10 ... 30 V
Switching frequency	$f$	200 Hz
Hysteresis	$H$	1 ... 10 typ. 5 %
Reverse polarity protected		reverse polarity protected
Short-circuit protection		pulsing
Voltage drop	$U_d$	$\leq 2.8$ V
Operating current	$I_L$	0 ... 200 mA
Off-state current	$I_r$	0 ... 0.5 mA typ. 0.01 mA
No-load supply current	$I_0$	$\leq 20$ mA

**Ambient conditions**

Ambient temperature	-25 ... 70 °C (-13 ... 158 °F)
Storage temperature	-25 ... 85 °C (-13 ... 185 °F)

**Mechanical specifications**

Connection type	flexible leads LIYV, 200 mm
Core cross-section	0.25 mm <sup>2</sup>
Housing material	Crastin (PBTB)
Sensing face	PBT
Protection degree	IP67

**Compliance with standards and directives**

Standard conformity	
Standards	EN 60947-5-2:2007 IEC 60947-5-2:2007

**Approvals and certificates**

UL approval	cULus Listed, General Purpose
CSA approval	cCSAus Listed, General Purpose