



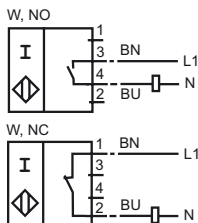
Model Number

NJ50-FP-W-P1

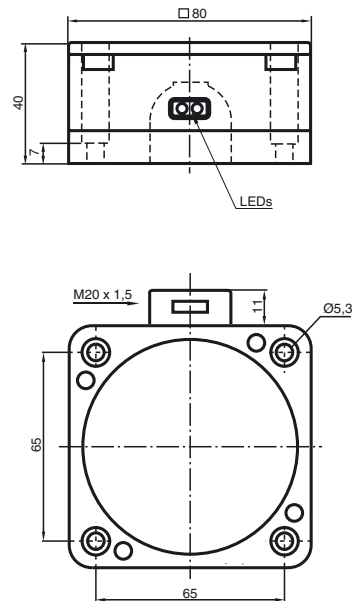
Features

- Comfort series
- 50 mm not embeddable

Connection



Dimensions



Technical Data

General specifications

Switching element function	ACMake/Break function
Rated operating distance	s_n 50 mm
Installation	not embeddable
Output polarity	AC
Assured operating distance	s_a 0 ... 40.5 mm
Reduction factor r_{AI}	0.4
Reduction factor r_{Cu}	0.3
Reduction factor r_{V2A}	0.85

Nominal ratings

Operating voltage	U_B 20 ... 253 V ¹⁾
Switching frequency	f 0 ... 25 Hz
Hysteresis	H 0 ... 10 typ. %
Short-circuit protection	no
Voltage drop	U_d ≤ 7 V
Momentary current (20 ms, 0.1 Hz)	0 ... 4000 mA
Operating current	I_L 10 ... 500 mA
Off-state current	I_r 0 ... 2.5 mA typ.
Operating voltage display	LED, green
Indication of the switching state	LED, yellow

Standard conformity

Standards	IEC / EN 60947-5-2:2004
-----------	-------------------------

Ambient conditions

Ambient temperature	-25 ... 70 °C (248 ... 343 K)
---------------------	-------------------------------

Mechanical specifications

Connection type	terminal compartment
Core cross-section	up to 2.5 mm ²
Housing material	PBT
Sensing face	PBT
Protection degree	IP67
Note	¹⁾ In the temperature range below 0 °C, permissible operating voltage U_b 80...253 V

Approvals and certificates

CCC approval	Certified by China Compulsory Certification (CCC)
--------------	---