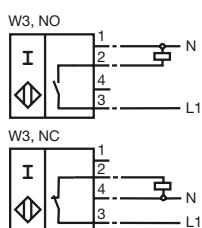
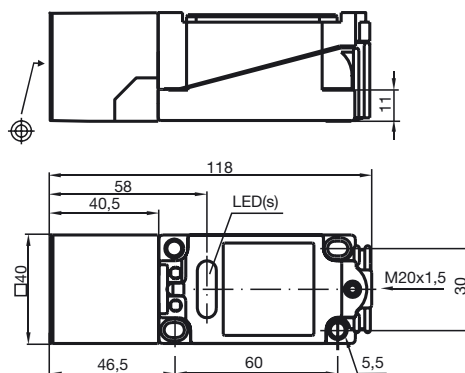




CE

Model Number

NJ30+U1+W3

Connection**Dimensions****Technical Data****General specifications**

Switching element function		
Rated operating distance	s_n	30 mm
Installation		not embeddable
Assured operating distance	s_a	0 ... 24.3 mm
Reduction factor r_{Al}		0.4
Reduction factor r_{Cu}		0.3
Reduction factor r_{V2A}		0.85

Nominal ratings

Operating voltage	U_B	20 ... 253 V
Switching frequency	f	0 ... 25 Hz
Hysteresis	H	typ. 3 %
Momentary current (20 ms, 0.1 Hz)		0 ... 4000 mA
Operating current	I_L	0 ... 500 mA
Off-state current	I_r	0 ... 0.5 mA typ.
No-load supply current	I_0	
Operating voltage display		-
Indication of the switching state		LED, red

Ambient conditions

Ambient temperature	-25 ... 70 °C (248 ... 343 K)
---------------------	-------------------------------

Mechanical specifications

Connection type	terminal compartment
Core cross-section	up to 2.5 mm ²
Housing material	PBT
Sensing face	PBT
Protection degree	IP68

Compliance with standards and directives

Standard conformity	
Standards	EN 60947-5-2:2007 IEC 60947-5-2:2007