



Model Number

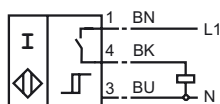
NJ15+U1+DW2-1

Features

- Rotational speed controller
- 15 mm flush
- Start-up override time = approx. 30 s

Connection

DW2



Accessories

MH 04-2681F

Mounting aid for VariKont, +U1+ and +U9*

V1-M20-80

Receptacles, M12/M20; plastic version

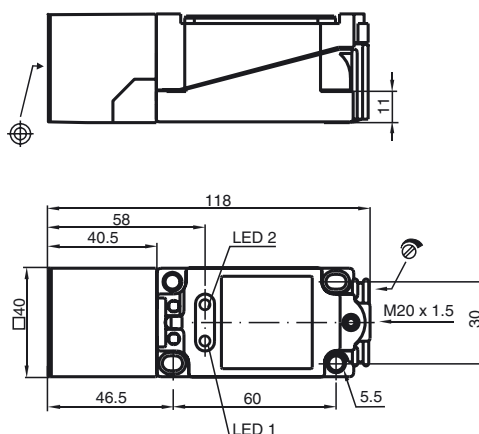
V1-G

4-pin, M12 female field-attachable connector

V1-W

4-pin, M12 female field-attachable connector

Dimensions



Technical Data

General specifications

Switching element function	NO
Frequency range	0.1 ... 1 Hz, adjustable
Rated operating distance	s_n 15 mm
Installation	flush
Output polarity	AC
Assured operating distance	s_a 0 ... 12.15 mm
Reduction factor r_{Al}	0.4
Reduction factor r_{Cu}	0.3
Reduction factor r_{304}	0.85

Nominal ratings

Operating voltage	U_B	90 ... 250 V AC
Short-circuit protection		no
Voltage drop	U_d	≤ 3 V
Momentary current (20 ms, 0.1 Hz)		0 ... 1000 mA
Operating current	I_L	0 ... 150 mA
Off-state current	I_r	0 ... 0.8 mA typ.
Indication of the switching state		LED 1: yellow
Damping indicator		LED 2: yellow

Functional safety related parameters

MTTF _d	860 a
Mission Time (T_M)	20 a
Diagnostic Coverage (DC)	0 %

Ambient conditions

Ambient temperature	-25 ... 70 °C (-13 ... 158 °F)
---------------------	--------------------------------

Mechanical specifications

Connection type	screw terminals
Core cross-section	up to 2.5 mm ²
Housing material	PBT
Sensing face	PBT
Protection degree	IP67
Note	¹⁾ In the temperature range below 0 °C, permissible operating voltage U_B 80...253 V Safety fuse ≤ 0.2 A (quick-blow) according to IEC 60127-2 Sheet 1 Recommendation: after a short circuit, check that the device is functioning correctly.

Compliance with standards and directives

Standard conformity	
Standards	EN 60947-5-2:2007 IEC 60947-5-2:2007

Approvals and certificates

UL approval	cULus Listed, General Purpose
CSA approval	cCSAus Listed, General Purpose
CCC approval	Certified by China Compulsory Certification (CCC)