



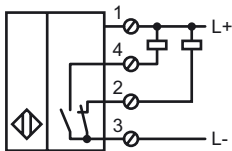
**Model Number**

NJ40+U4+A

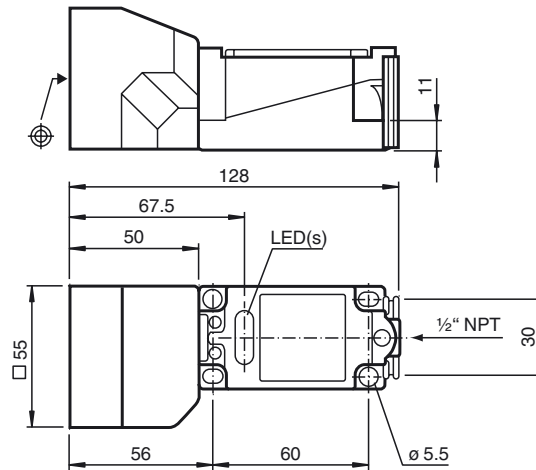
**Features**

- 4-wire DC
- Surface mount
- Sensing range 40 mm

**Connection**



**Dimensions**



**Technical Data**

**General specifications**

Switching element function		NPN	NO/NC
Rated operating distance	$s_n$	40 mm	
Installation		not embeddable	
Output polarity		DC	
Assured operating distance	$s_a$	0 ... 32.4 mm	
Reduction factor $r_{Al}$		0.5	
Reduction factor $r_{Cu}$		0.45	
Reduction factor $r_{V2A}$		0.8	

**Nominal ratings**

Operating voltage	$U_B$	10 ... 60 V	
Switching frequency	$f$	0 ... 100 Hz	
Hysteresis	$H$	1 ... 10 typ. 5 %	
Reverse polarity protected		yes	
Short-circuit protection		yes	
Voltage drop	$U_d$	$\leq 2.8$ V	
Operating current	$I_L$	0 ... 200 mA	
No-load supply current	$I_0$	$\leq 10$ mA	
Operating voltage display		LED, green	
Indication of the switching state		LED, yellow	

**Standard conformity**

Standards	IEC / EN 60947-5-2:2004
-----------	-------------------------

**Ambient conditions**

Ambient temperature	-25 ... 70 °C (-13 ... 158 °F)
---------------------	--------------------------------

**Mechanical specifications**

Housing material	PBT/metal
Sensing face	PBT
Protection degree	IP68

**Approvals and certificates**

UL approval	cULus Listed, General Purpose
CSA approval	cCSAus Listed, General Purpose

Release date: 2010-11-21 10:52 Date of issue: 2010-11-21 015841\_ENG.xml