



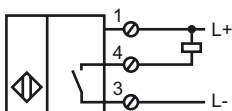
Model Number

NJ40+U4+E

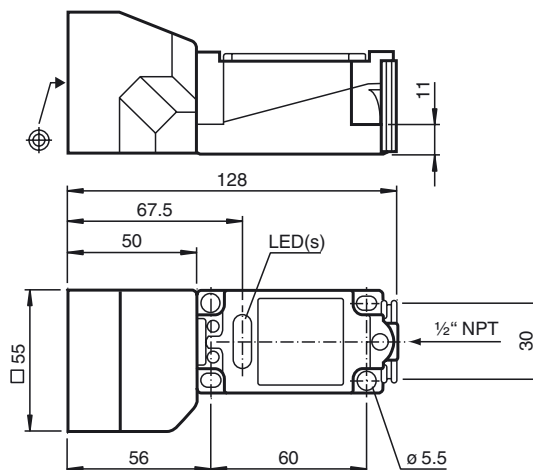
Features

- 3-wire DC
- Surface mount
- Sensing range 40 mm

Connection



Dimensions



Technical Data

General specifications

Switching element function		NPN	NO
Rated operating distance	s_n	40 mm	
Installation		not embeddable	
Output polarity		DC	
Assured operating distance	s_a	0 ... 32.4 mm	
Reduction factor r_{Al}		0.5	
Reduction factor r_{Cu}		0.45	
Reduction factor r_{V2A}		0.8	

Nominal ratings

Operating voltage	U_B	10 ... 60 V	
Switching frequency	f	0 ... 100 Hz	
Hysteresis	H	1 ... 10 typ. 5 %	
Reverse polarity protected		yes	
Short-circuit protection		yes	
Voltage drop	U_d	≤ 2.8 V	
Operating current	I_L	0 ... 200 mA	
No-load supply current	I_0	≤ 10 mA	
Operating voltage display		LED, green	
Indication of the switching state		LED, yellow	

Standard conformity

Standards	IEC / EN 60947-5-2:2004
-----------	-------------------------

Ambient conditions

Ambient temperature	-25 ... 70 °C (-13 ... 158 °F)
---------------------	--------------------------------

Mechanical specifications

Housing material	PBT/metal
Sensing face	PBT
Protection degree	IP68

Approvals and certificates

UL approval	cULus Listed, General Purpose
CSA approval	cCSAus Listed, General Purpose