



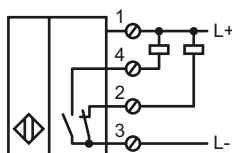
**Model Number**

NJ20+U4+A

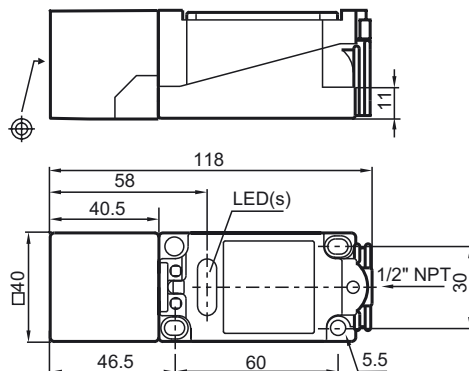
**Features**

- Comfort series
- 20 mm embeddable

**Connection**



**Dimensions**



**Technical Data**

**General specifications**

Switching element function		NPN	NO/NC
Rated operating distance	$s_n$	20 mm	
Installation		embeddable	
Output polarity		DC	
Assured operating distance	$s_a$	0 ... 16.2 mm	
Reduction factor $r_{Al}$		0.35	
Reduction factor $r_{Cu}$		0.35	
Reduction factor $r_{303}$		0.8	

**Nominal ratings**

Operating voltage	$U_B$	10 ... 60 V	
Switching frequency	$f$	0 ... 150 Hz	
Hysteresis	$H$	1 ... 10 typ. 5 %	
Reverse polarity protected		reverse polarity protected	
Short-circuit protection		pulsing	
Voltage drop	$U_d$	$\leq 2.8$ V	
Operating current	$I_L$	0 ... 200 mA	
No-load supply current	$I_0$	$\leq 10$ mA	
Operating voltage display		LED, green	
Indication of the switching state		LED, yellow	

**Ambient conditions**

Ambient temperature		-25 ... 70 °C (-13 ... 158 °F)
---------------------	--	--------------------------------

**Mechanical specifications**

Connection type		screw terminals
Core cross-section		up to 2.5 mm <sup>2</sup>
Housing material		PBT
Sensing face		PBT
Protection degree		IP68

**Compliance with standards and directives**

Standard conformity		
Standards		EN 60947-5-2:2007 IEC 60947-5-2:2007

**Approvals and certificates**

UL approval		cULus Listed, General Purpose
CSA approval		cCSAus Listed, General Purpose
CCC approval		Certified by China Compulsory Certification (CCC)

Release date: 2011-07-20 11:50 Date of issue: 2011-07-20 015767\_eng.xml