



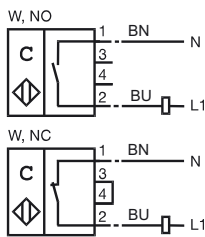
Model Number

CJ15+U4+W

Features

- 15 mm flush
- 2-wire AC
- The switching distance can be set over a wide range with the potentiometer

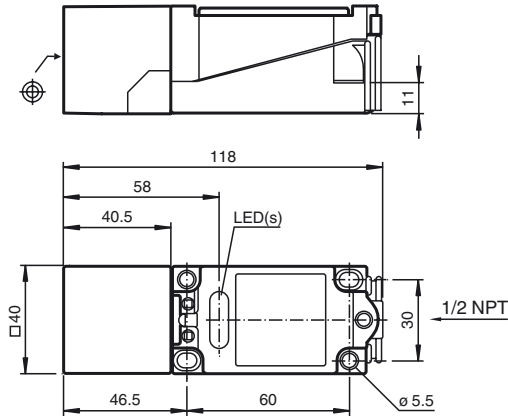
Connection



Accessories

MHW 01
Modular mounting bracket

Dimensions



Technical Data

General specifications

Switching element function	AC	NO/NC
Rated operating distance	s_n	15 mm
Installation	flush	
Output polarity	AC	
Assured operating distance	s_a	0 ... 10.8 mm

Nominal ratings

Operating voltage	U_B	20 ... 250 V AC ¹⁾
Switching frequency	f	0 ... 10 Hz
Reverse polarity protected	tolerant	
Voltage drop	U_d	≤ 7 V
Operating current	I_L	10 ... 500 mA
Off-state current	I_r	0 ... 2.5 mA typ.
Indication of the switching state	LED, red	

Standard conformity

EMC in accordance with	IEC / EN 60947-5-2:1999
------------------------	-------------------------

Ambient conditions

Ambient temperature	-25 ... 70 °C (-13 ... 158 °F)
---------------------	--------------------------------

Mechanical specifications

Connection type	screw terminals
Core cross-section	up to 2.5 mm ²
Housing material	PBT/metal
Sensing face	PBT
Housing base	metal
Protection degree	IP65
Note	¹⁾ In the temperature range below 0 °C, permissible operating voltage U_b 80...253 V

Approvals and certificates

UL approval	cULus Listed, General Purpose
CSA approval	cCSAus Listed, General Purpose

Release date: 2012-06-20 07:54 Date of issue: 2012-06-20 015227_eng.xml