



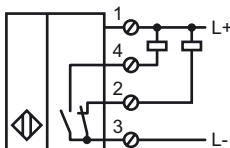
Model Number

NJ15+U4+A-T

Features

- 15 mm embeddable
- Temperature range
-25 ... 100 °C (-13 ... 212 °F)

Connection

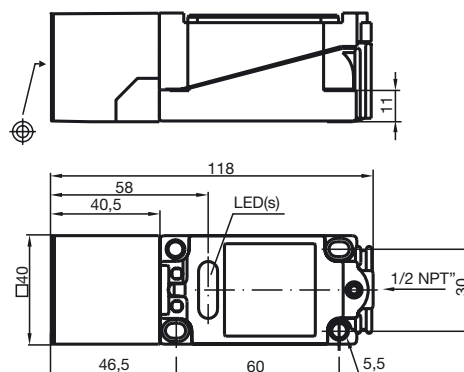


Accessories

MHW 01

Modular mounting bracket

Dimensions



Technical Data

General specifications

| | | | |
|----------------------------|-------|----------------|-------|
| Switching element function | | NPN | NO/NC |
| Rated operating distance | s_n | 15 mm | |
| Installation | | embeddable | |
| Output polarity | | DC | |
| Assured operating distance | s_a | 0 ... 12.15 mm | |
| Reduction factor r_{Al} | | 0.4 | |
| Reduction factor r_{Cu} | | 0.3 | |
| Reduction factor r_{303} | | 0.85 | |

Nominal ratings

| | | |
|-----------------------------------|-------|----------------------------|
| Operating voltage | U_B | 10 ... 60 V |
| Switching frequency | f | 0 ... 300 Hz |
| Hysteresis | H | typ. 3 % |
| Reverse polarity protected | | reverse polarity protected |
| Short-circuit protection | | pulsing |
| Voltage drop | U_d | ≤ 3 V |
| Operating current | I_L | 0 ... 200 mA |
| No-load supply current | I_0 | ≤ 20 mA |
| Operating voltage display | | LED, green |
| Indication of the switching state | | LED, red |

Ambient conditions

| | |
|---------------------|---------------------------------|
| Ambient temperature | -25 ... 100 °C (-13 ... 212 °F) |
|---------------------|---------------------------------|

Mechanical specifications

| | |
|--------------------|---------------------------|
| Connection type | screw terminals |
| Core cross-section | up to 2.5 mm ² |
| Housing material | PBT/base of metal |
| Sensing face | PBT |
| Protection degree | IP68 |

Compliance with standards and directives

| | |
|---------------------|---|
| Standard conformity | |
| Standards | EN 60947-5-2:2007 IEC 60947-5-2:2007 |

Approvals and certificates

| | |
|--------------|---|
| UL approval | cULus Listed, General Purpose |
| CSA approval | cCSAus Listed, General Purpose |
| CCC approval | Certified by China Compulsory Certification (CCC) |