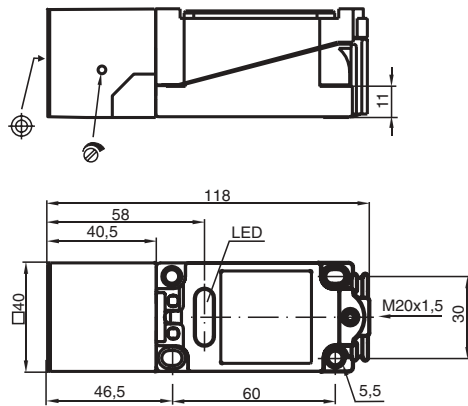


Comfort series  
 15 mm embeddable  
 The switching distance can be set over a wide range with the potentiometer



Switching element function	NPN Antivalent
Rated operating distance $s_n$	15 mm
Installation	embeddable
Assured operating distance $s_a$	0 ... 10,8 mm
Operating voltage $U_B$	10 ... 30 V
Switching frequency $f$	0 ... 10 Hz
Reverse polarity protection	Protected against reverse polarity
Short circuit protection	pulsing
Voltage drop $U_d$	$\leq 3$ V
Operating current $I_L$	0 ... 200 mA
No-load supply current $I_0$	$\leq 20$ mA
Indication of the switching state	LED, red
EMC in accordance with	EN 60947-5-2
Ambient temperature	-25 ... 70 °C (248 ... 343 K)
Connection type	terminal compartment
Core cross-section	up to 2.5 mm <sup>2</sup>
Housing material	PBT
Sensing face	PBT
Protection degree	IP65

**Connection\_type:**

