



Model Number

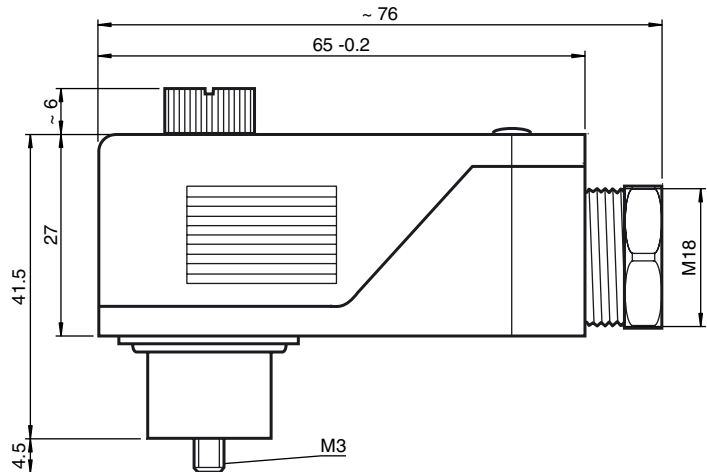
V-W-E2

Cable socket, central screw, LED, 4-pin+PE, ready for assembly

Features

- Gold plated contacts
- Center screw
- Built-in LED, as operating and function indicator

Dimensions



Technical data

General specifications

Number of poles	4 + PE
Connection 1	Connector, female
Construction type 1	angled

Electrical specifications

Operating voltage	max. 24 V DC \pm 15%
-------------------	------------------------

Mechanical specifications

Protection degree	IP65
Connection	screw terminal for max. 1.5 mm ² PG 13.5 cable gland

Cable	
Sheath diameter	6 ... 8 mm

Electrical connection

