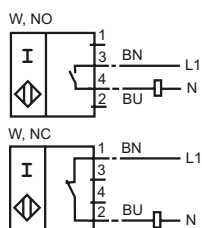
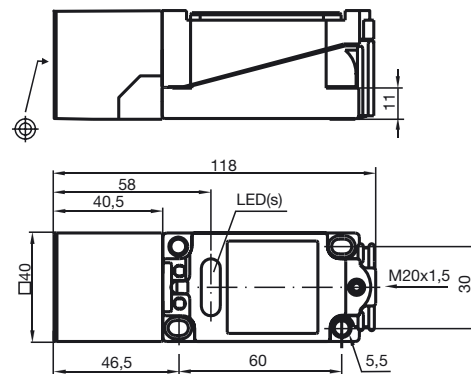




CE

**Model Number**

NJ20+U1+W-C

**Connection****Dimensions****Technical Data****General specifications**

Switching element function		ACMake/Break function
Rated operating distance	$s_n$	20 mm
Installation		not embeddable
Assured operating distance	$s_a$	0 ... 16.2 mm
Reduction factor $r_{Al}$		0.4
Reduction factor $r_{Cu}$		0.3
Reduction factor $r_{V2A}$		0.85

**Nominal ratings**

Operating voltage	$U_B$	20 ... 253 V
Switching frequency	$f$	0 ... 20 Hz
Hysteresis	$H$	typ. 3 %
Momentary current (20 ms, 0.1 Hz)		0 ... 4000 mA
Operating current	$I_L$	10 ... 400 mA
Off-state current	$I_r$	0 ... 2.5 mA typ.
Operating voltage display		LED, green
Indication of the switching state		LED, yellow

**Ambient conditions**

Ambient temperature	-25 ... 70 °C (248 ... 343 K)
---------------------	-------------------------------

**Mechanical specifications**

Connection type	terminal compartment
Core cross-section	up to 2.5 mm <sup>2</sup>
Housing material	PBT
Sensing face	PBT
Protection degree	IP68

**Compliance with standards and directives**

Standard conformity	
Standards	EN 60947-5-2:2007 IEC 60947-5-2:2007