

**Model Number**

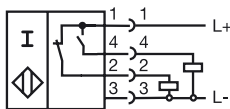
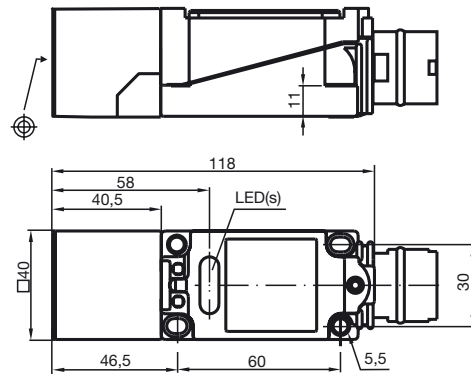
NJ15+U1Y+A2-T-Y13151

**Features**

- Temperature range  
-25 ... 100 °C
- 15 mm embeddable

**Connection**

A2-Y

**Dimensions****Technical Data****General specifications**

Switching element function	NPN	Antivalent
Rated operating distance	$s_n$	15 mm
Installation	embeddable	
Output polarity	DC	
Assured operating distance	$s_a$	0 ... 12.15 mm
Reduction factor $r_{Al}$	0.4	
Reduction factor $r_{Cu}$	0.3	
Reduction factor $r_{V2A}$	0.85	

**Nominal ratings**

Operating voltage	$U_B$	10 ... 60 V
Switching frequency	$f$	0 ... 300 Hz
Hysteresis	$H$	typ. 3 %
Reverse polarity protection	protected against reverse polarity	
Short-circuit protection	pulsing	
Voltage drop	$U_d$	$\leq 3$ V
Operating current	$I_L$	0 ... 200 mA
No-load supply current	$I_0$	$\leq 20$ mA
Operating voltage display	LED, green	
Indication of the switching state	LED, red	

**Standard conformity**

Standards	IEC / EN 60947-5-2:2004
-----------	-------------------------

**Ambient conditions**

Ambient temperature	-25 ... 100 °C (248 ... 373 K)
---------------------	--------------------------------

**Mechanical specifications**

Connection type	connector series 717, Fa. Binder
Housing material	PBT
Sensing face	PBT
Protection degree	IP68

**Approvals and certificates**

CCC approval	Certified by China Compulsory Certification (CCC)
--------------	---