



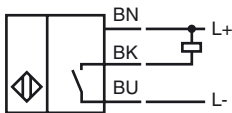
Model Number

RJ43-E

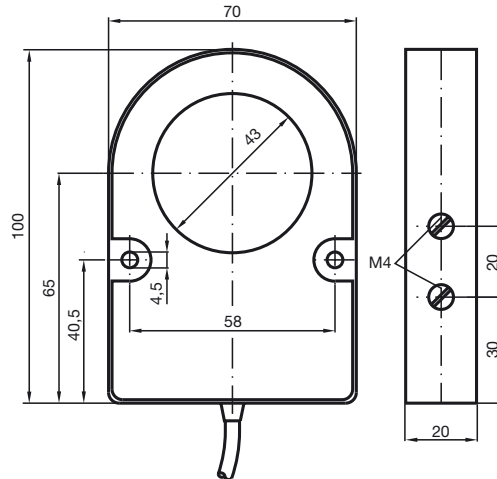
Features

- 43 mm inside diameter
- 3-wire DC

Connection



Dimensions



Technical Data

General specifications

| | | |
|----------------------------|-------|----|
| Switching element function | NPN | NO |
| Installation | | |
| Output polarity | DC | |
| Inside diameter | 43 mm | |
| Measuring cylinder | | |
| Diameter | 9 mm | |
| Length | 18 mm | |

Nominal ratings

| | | |
|----------------------------|-------|----------------------------|
| Operating voltage | U_B | 10 ... 30 V DC |
| Switching frequency | f | 0 ... 500 Hz |
| Hysteresis | H | typ. 5% |
| Reverse polarity protected | | reverse polarity protected |
| Short-circuit protection | | pulsing |
| Voltage drop | U_d | ≤ 3 V |
| Operating current | I_L | 0 ... 200 mA |
| No-load supply current | I_0 | ≤ 20 mA |

Ambient conditions

| | |
|---------------------|--------------------------------|
| Ambient temperature | -25 ... 70 °C (-13 ... 158 °F) |
|---------------------|--------------------------------|

Mechanical specifications

| | |
|--------------------|----------------------|
| Connection type | cable PVC , 2 m |
| Core cross-section | 0.34 mm ² |
| Housing material | PBT |
| Protection degree | IP67 |

Compliance with standards and directives

| | |
|---------------------|---|
| Standard conformity | |
| Standards | EN 60947-5-2:2007 IEC 60947-5-2:2007 |

Approvals and certificates

| | |
|----------------|--------------------------------|
| UL approval | cULus Listed, General Purpose |
| CSAus approval | cCSAus Listed, General Purpose |

Release date: 2011-07-27 14:41 Date of issue: 2011-07-27 012367_eng.xml