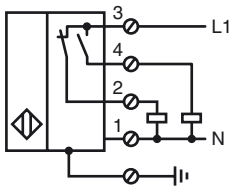




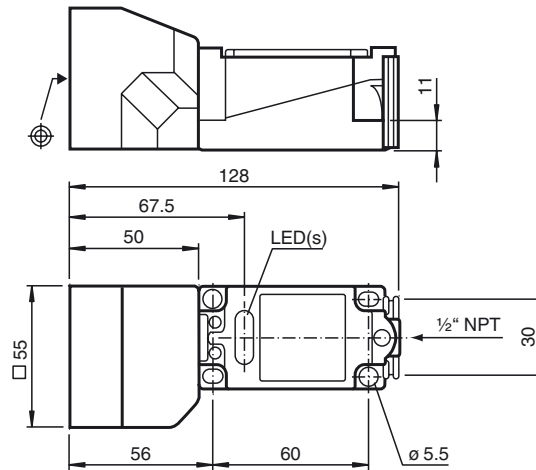
Model Number
NJ40+U4+W4-Y12206

- Features**
- 4-wire AC
 - Surface mount
 - Sensing range 40 mm

Connection



Dimensions



Technical Data

| General specifications | | |
|-----------------------------------|-------|---|
| Switching element function | | AC NO & NC |
| Rated operating distance | s_n | 40 mm |
| Installation | | not embeddable |
| Output polarity | | AC |
| Assured operating distance | s_a | 0 ... 24.3 mm |
| Reduction factor r_{Al} | | 0.5 |
| Reduction factor r_{Cu} | | 0.45 |
| Reduction factor r_{303} | | 0.8 |
| Nominal ratings | | |
| Operating voltage | U_B | 20 ... 253 V |
| Switching frequency | f | 0 ... 20 Hz |
| Hysteresis | H | 1 ... 10 typ. 5 % |
| Voltage drop | U_d | 4 V |
| Momentary current (20 ms, 0.1 Hz) | | ≤ 4 A |
| Operating current | I_L | 8 ... 500 mA |
| Off-state current | I_r | 0 ... 2.5 mA typ. |
| Indication of the switching state | | LED green: NC LED red: NO |
| Standard conformity | | |
| Standards | | IEC / EN 60947-5-2:2004 |
| Ambient conditions | | |
| Ambient temperature | | -25 ... 70 °C (-13 ... 158 °F) |
| Storage temperature | | -25 ... 85 °C (-13 ... 185 °F) |
| Mechanical specifications | | |
| Connection type | | screw terminals |
| Core cross-section | | up to 2.5 mm ² |
| Housing material | | PBT/metal |
| Sensing face | | PBT |
| Protection degree | | IP68 |
| Approvals and certificates | | |
| UL approval | | cULus Listed, General Purpose |
| CSA approval | | cCSAus Listed, General Purpose |
| CCC approval | | Certified by China Compulsory Certification (CCC) |

Release date: 2012-01-30 12:14 Date of issue: 2012-01-30 012206_eng.xml