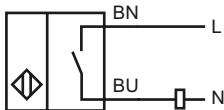
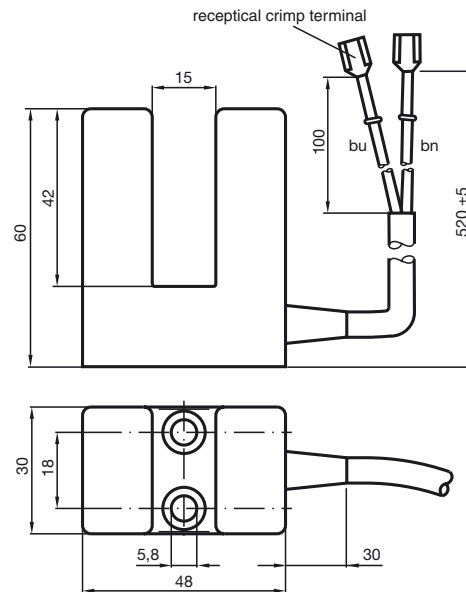


**Model Number**

SJ15-WS-Y12109

Features

- High EMC resistance
- Customer specific for "Haushahn"
- With screening sheet
- Connection via pin-type cable socket

Connection**Dimensions****Technical Data****General specifications**

Switching element function	AC	NO
Slot width	15 mm	
Depth of immersion (lateral)	18.5 ... 20.5 mm	
Installation		
Output polarity	AC	

Nominal ratings

Operating voltage	U_B	at 0 ... 70 °C: 20 ... 250V at -25 ... 0 °C: 80 ... 250V
Switching frequency	f	0 ... 25 Hz
Voltage drop	U_d	≤ 3 V
Momentary current (20 ms, 0.1 Hz)		0 ... 4000 mA
Operating current	I_L	10 ... 500 mA
Off-state current	I_r	0 ... 2.5 mA typ.

Ambient conditions

Ambient temperature	-25 ... 70 °C (-13 ... 158 °F)
---------------------	--------------------------------

Mechanical specifications

Connection type	cable PVC , 520 mm
Core cross-section	0.75 mm ²
Housing material	PBT
Protection degree	IP67

Compliance with standards and directives

Standard conformity	
Standards	EN 60947-5-2:2007 IEC 60947-5-2:2007

Approvals and certificates

UL approval	cULus Listed, General Purpose
CSA approval	cCSAus Listed, General Purpose