



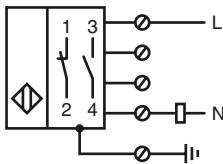
### Model Number

NJ15+U4+W-C

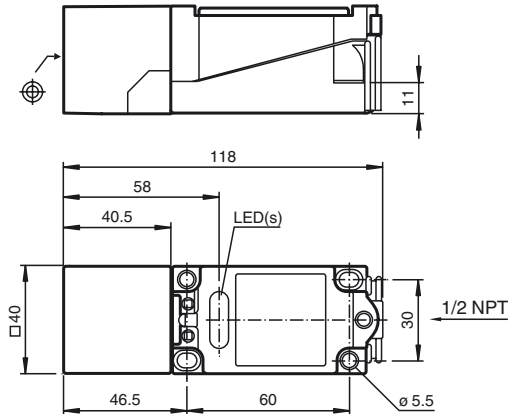
### Features

- Surface mount
- Sensing range 15 mm
- 2-wire AC

### Connection



### Dimensions



### Technical Data

#### General specifications

Switching element function	AC	NO/NC
Rated operating distance	$s_n$	15 mm
Installation		flush
Assured operating distance	$s_a$	0 ... 12.15 mm
Reduction factor $r_{Al}$		0.4
Reduction factor $r_{Cu}$		0.3
Reduction factor $r_{304}$		0.85

#### Nominal ratings

Operating voltage	$U_B$	20 ... 253 V <sup>1)</sup>
Switching frequency	$f$	0 ... 20 Hz
Hysteresis	$H$	typ. 3 %
Voltage drop	$U_d$	≤ 5 V
Momentary current (20 ms, 0.1 Hz)		0 ... 4000 mA
Operating current	$I_L$	10 ... 400 mA
Off-state current	$I_r$	0 ... 2.5 mA typ.
Operating voltage display		LED, green
Indication of the switching state		LED, yellow

#### Ambient conditions

Ambient temperature	-25 ... 70 °C (-13 ... 158 °F)
---------------------	--------------------------------

#### Mechanical specifications

Connection type	screw terminals
Core cross-section	up to 2.5 mm <sup>2</sup>
Housing material	PBT-GF20, Crastin SK 643 FR
Sensing face	PBT-GF20, Crastin SK 643 FR
Housing base	metal
Protection degree	IP68

#### Note

<sup>1)</sup> In the temperature range below 0 °C, permissible operating voltage  $U_B$  80...253 V  
Safety fuse ≤ 2 A (quick-blow) according to IEC 60127-2 Sheet 1  
Recommendation: after a short circuit, check that the device is functioning correctly.

#### Compliance with standards and directives

Standard conformity	
Standards	EN 60947-5-2:2007 IEC 60947-5-2:2007

#### Approvals and certificates

UL approval	cULus Listed, General Purpose
CSA approval	cCSAus Listed, General Purpose