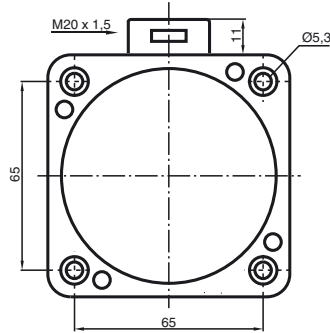
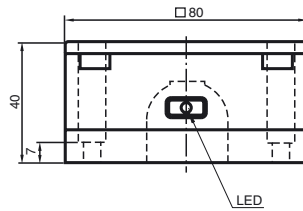


Temperature range  
 -25 ... 100 °C  
 40 mm not embeddable



General specifications	
Switching element function	AC Make/Break function
Rated operating distance $s_n$	40 mm
Installation	not embeddable
Assured operating distance $s_a$	0 ... 32,4 mm
Reduction factor $r_{Al}$	0,4
Reduction factor $r_{Cu}$	0,3
Reduction factor $r_{V2A}$	0,85
Nominal ratings	
Operating voltage $U_B$	20 ... 253 V
Switching frequency $f$	0 ... 10 Hz
Hysteresis $H$	0 ... 10 typ. %
Short circuit protection	no
Voltage drop $U_d$	$\leq 7$ V
Momentary current (20 ms, 0.1 Hz)	0 ... 4000 mA
Operating current $I_L$	10 ... 500 mA
Off-state current $I_r$	0 ... 2,5 mA typ.
Operating voltage display	-
Indication of the switching state	LED, red
Standard conformity	
Standards	-
Ambient conditions	
Ambient temperature	-25 ... 100 °C (248 ... 373 K)
Mechanical specifications	
Connection type	terminal compartment
Core cross-section	up to 2.5 mm <sup>2</sup>
Housing material	PBT
Sensing face	-
Protection degree	IP67

### Connection type:

