

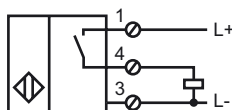


CE

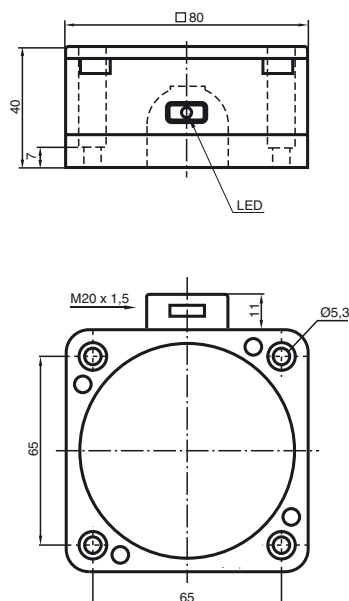
Model Number

NJ40-FP-E2-T-P1

Connection



Dimensions



Technical Data

General specifications

| | | | |
|----------------------------|-------|---------------|----------------|
| Switching element function | | PNP | Make function |
| Rated operating distance | s_n | 40 mm | |
| Installation | | | not embeddable |
| Output polarity | | | switched high |
| Assured operating distance | s_a | 0 ... 32.4 mm | |
| Reduction factor r_{A1} | | 0.4 | |
| Reduction factor r_{Cu} | | 0.3 | |
| Reduction factor r_{V2A} | | 0.85 | |

Nominal ratings

| | | |
|-----------------------------------|-------|------------------------------------|
| Operating voltage | U_B | 10 ... 60 V |
| Switching frequency | f | 0 ... 100 Hz |
| Hysteresis | H | typ. 3 % |
| Reverse polarity protection | | protected against reverse polarity |
| Short-circuit protection | | pulsing |
| Voltage drop | U_d | ≤ 3 V |
| Operating current | I_L | 0 ... 200 mA |
| No-load supply current | I_0 | ≤ 20 mA |
| Indication of the switching state | | LED, red |

Standard conformity

| | |
|-----------|-------------------------|
| Standards | IEC / EN 60947-5-2:2004 |
|-----------|-------------------------|

Ambient conditions

| | |
|---------------------|--------------------------------|
| Ambient temperature | -25 ... 100 °C (248 ... 373 K) |
|---------------------|--------------------------------|

Mechanical specifications

| | |
|--------------------|---------------------------|
| Connection type | terminal compartment |
| Core cross-section | up to 2.5 mm ² |
| Housing material | PBT |
| Sensing face | PBT |
| Protection degree | IP67 |