



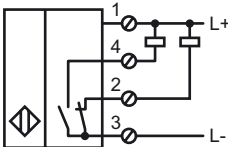
Model Number

NJ15+U1+A-T

Features

- Temperature range
-25 ... 100 °C (-13 ... 212 °F)
- 15 mm embeddable

Connection



Accessories

V1-M20-80

Receptacles, M12/M20; plastic version

V1-G

4-pin, M12 female field-attachable connector

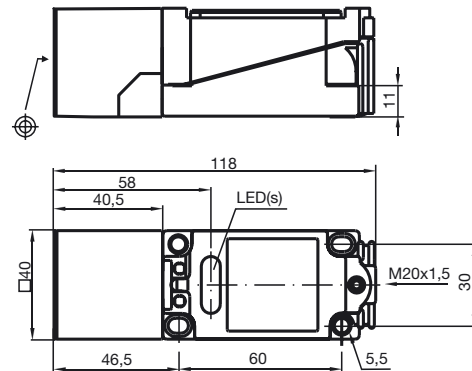
V1-W

4-pin, M12 female field-attachable connector

MHW 01

Modular mounting bracket

Dimensions



Technical Data

General specifications

Switching element function		NPN	NO/NC
Rated operating distance	s_n	15 mm	
Installation		embeddable	
Output polarity		DC	
Assured operating distance	s_a	0 ... 12.15 mm	
Reduction factor r_{Al}		0.4	
Reduction factor r_{Cu}		0.3	
Reduction factor r_{303}		0.85	

Nominal ratings

Operating voltage	U_B	10 ... 60 V
Switching frequency	f	0 ... 300 Hz
Hysteresis	H	typ. 3 %
Reverse polarity protected		reverse polarity protected
Short-circuit protection		pulsing
Voltage drop	U_d	≤ 3 V
Operating current	I_L	0 ... 200 mA
No-load supply current	I_0	≤ 20 mA
Operating voltage display		LED, green
Indication of the switching state		LED, yellow

Ambient conditions

Ambient temperature	-25 ... 100 °C (-13 ... 212 °F)
---------------------	---------------------------------

Mechanical specifications

Connection type	screw terminals
Core cross-section	up to 2.5 mm ²
Housing material	PBT
Sensing face	PBT
Protection degree	IP68

Compliance with standards and directives

Standard conformity	
Standards	EN 60947-5-2:2007 IEC 60947-5-2:2007

Approvals and certificates

UL approval	cULus Listed, General Purpose
CSA approval	cCSAus Listed, General Purpose