

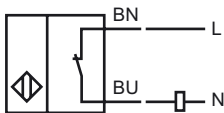
Model Number

SJ15-WO

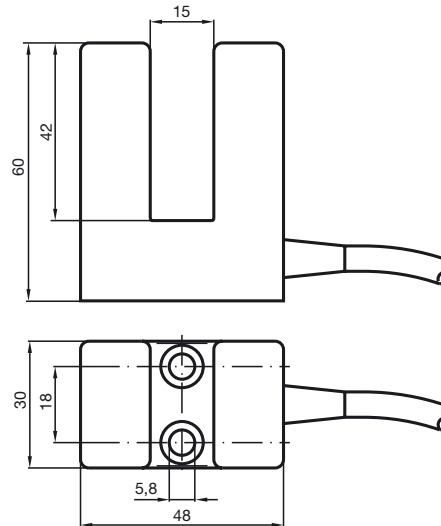
Features

- 15 mm slot width
- 2-wire AC

Connection



Dimensions



Technical Data

General specifications

Switching element function	AC	NC
Slot width	15 mm	
Depth of immersion (lateral)	18.5 ... 20.5 mm	
Output polarity	AC	

Nominal ratings

Operating voltage	U_B	20 ... 253 V AC
Switching frequency	f	0 ... 25 Hz
Hysteresis	H	typ. 5%
Voltage drop	U_d	Typ. 4 V at 40 ... 500 mA load current Typ. 5 V at 15 ... 40 mA load current Typ. 7 V at 5 ... 15 mA load current

Momentary current (20 ms, 0.1 Hz)		≤ 4000 mA
Operating current	I_L	5 ... 500 mA
Off-state current	I_r	≤ 2 mA

Ambient conditions

Ambient temperature	-25 ... 70 °C (-13 ... 158 °F)
---------------------	--------------------------------

Mechanical specifications

Connection type	cable PVC , 2 m
Core cross-section	0.75 mm ²
Housing material	PBT
Protection degree	IP67
Note	¹⁾ In the temperature range below 0 °C, permissible operating voltage U_B 80...253 V Safety fuse ≤ 2 A (quick-blow) according to IEC 60127-2 Sheet 1 Recommendation: after a short circuit, check that the device is functioning correctly.

Compliance with standards and directives

Standard conformity	
Standards	EN 60947-5-2:2007 IEC 60947-5-2:2007

Approvals and certificates

UL approval	cULus Listed, General Purpose
CSA approval	cCSAus Listed, General Purpose
CCC approval	Certified by China Compulsory Certification (CCC)

Release date: 2011-07-27 11:43 Date of issue: 2011-07-27 003799_eng.xml