



Model Number

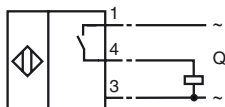
NJ50-FP-WS3-J94-P1

Features

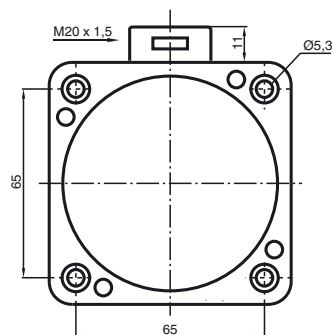
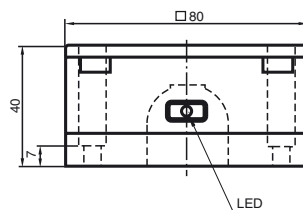
- Temperature range
-25 ... 60 °C (-13 ... 140 °F)
- 50 mm not embeddable

Connection

WS3



Dimensions



Technical Data

General specifications

Switching element function	AC	NO/NC
Rated operating distance	s_n	50 mm
Installation	not embeddable	
Output polarity	AC	
Assured operating distance	s_a	0 ... 40.5 mm
Reduction factor r_{Al}	0.4	
Reduction factor r_{Cu}	0.3	
Reduction factor r_{V2A}	0.85	

Nominal ratings

Operating voltage	U_B	20 ... 253 V
Switching frequency	f	2 Hz
Hysteresis	H	0 ... 10 typ. %
ON/OFF delay	approx. 0.5 sec	
Short-circuit protection	no	
Voltage drop	U_d	≤ 7 V
Momentary current (20 ms, 0.1 Hz)	0 ... 4000 mA	
Operating current	I_L	10 ... 500 mA
Off-state current	I_r	0 ... 2.5 mA typ.
No-load supply current	I_0	5 mA
Indication of the switching state	LED, red	

Ambient conditions

Ambient temperature	-25 ... 60 °C (-13 ... 140 °F)
---------------------	--------------------------------

Mechanical specifications

Connection type	screw terminals
Core cross-section	up to 2.5 mm ²
Housing material	Crastin (PBTB)
Sensing face	Crastin (PBTB)
Protection degree	IP68

Note

¹⁾ In the temperature range below 0 °C, permissible operating voltage U_B 80...253 V
Safety fuse ≤ 2 A (quick-blow) according to IEC 60127-2 Sheet 1
Recommendation: after a short circuit, check that the device is functioning correctly.

Compliance with standards and directives

Standard conformity	
Standards	EN 60947-5-2:2007 IEC 60947-5-2:2007

Approvals and certificates

UL approval	cULus Listed, General Purpose
CSA approval	cCSAus Listed, General Purpose