



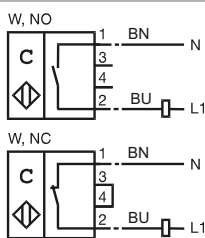
**Model Number**

CJ15+U1+W

**Features**

- Comfort series
- 15 mm embeddable
- The switching distance can be set over a wide range with the potentiometer

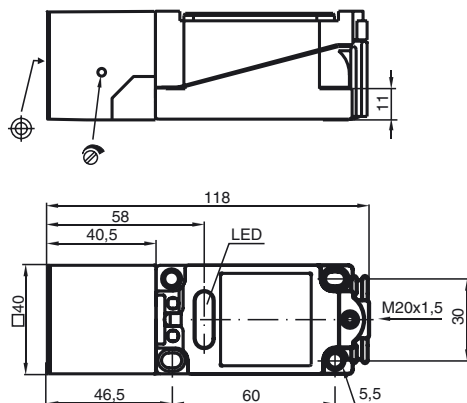
**Connection**



**Accessories**

**MHW 01**  
Mounting aid

**Dimensions**



**Technical Data**

**General specifications**

Switching element function	ACMake/Break function
Rated operating distance	$s_n$ 15 mm
Installation	embeddable
Output polarity	AC
Assured operating distance	$s_a$ 0 ... 10.8 mm

**Nominal ratings**

Operating voltage	$U_B$ 20 ... 253 V <sup>1)</sup>
Switching frequency	$f$ 0 ... 10 Hz
Short-circuit protection	no
Voltage drop	$U_d$ ≤ 5 V
Momentary current (20 ms, 0.1 Hz)	0 ... 4000 mA
Operating current	$I_L$ 10 ... 500 mA
Off-state current	$I_r$ 0 ... 2.5 mA typ.
Indication of the switching state	LED, red

**Ambient conditions**

Ambient temperature	-25 ... 70 °C (248 ... 343 K)
---------------------	-------------------------------

**Mechanical specifications**

Connection type	terminal compartment
Core cross-section	up to 2.5 mm <sup>2</sup>
Housing material	PBT
Sensing face	PBT
Protection degree	IP65
Note	<sup>1)</sup> In the temperature range below 0 °C, permissible operating voltage $U_b$ 80...253 V Safety fuse ≤ 2 A (quick-blow) according to IEC 60127-2 Sheet 1 Recommendation: after a short circuit, check that the device is functioning correctly.

**Compliance with standards and directives**

Standard conformity	
Standards	EN 60947-5-2:2007 IEC 60947-5-2:2007

Release date: 2009-09-09 08:26 Date of issue: 2009-09-09 001602\_ENG.xml