



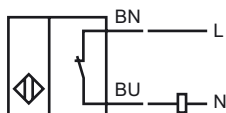
**Model Number**

SJ30-WO

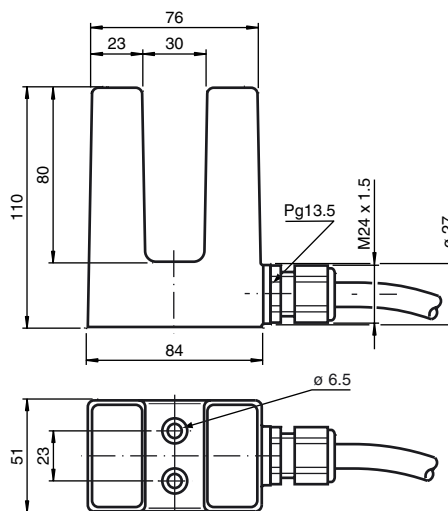
**Features**

- 30 mm slot width
- 2-wire AC

**Connection**



**Dimensions**



**Technical Data**

**General specifications**

Switching element function	AC	NC
Slot width	30 mm	
Depth of immersion (lateral)	27 ... 31 mm	
Output polarity	AC	

**Nominal ratings**

Operating voltage	$U_B$	20 ... 253 V AC <sup>1)</sup>
Switching frequency	$f$	0 ... 25 Hz
Momentary current (20 ms, 0.1 Hz)	0 ... 4000 mA	
Operating current	$I_L$	10 ... 500 mA
Off-state current	$I_r$	0.8 ... 2.5 mA

**Ambient conditions**

Ambient temperature	-25 ... 70 °C (-13 ... 158 °F)
---------------------	--------------------------------

**Mechanical specifications**

Connection type	cable PVC , 2 m
Core cross-section	0.75 mm <sup>2</sup>
Housing material	ABS
Protection degree	IP67
Mass	450 g
Note	<sup>1)</sup> In the temperature range below 0 °C, permissible operating voltage $U_b$ 80...253 V

**Compliance with standards and directives**

Standard conformity	
Standards	EN 60947-5-2:2007 IEC 60947-5-2:2007

**Approvals and certificates**

UL approval	cULus Listed, General Purpose
CSA approval	cCSAus Listed, General Purpose

Release date: 2011-07-27 11:43 Date of issue: 2011-07-27 000832\_eng.xml