



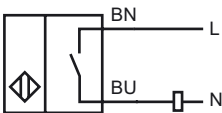
Model Number

SJ30-WS

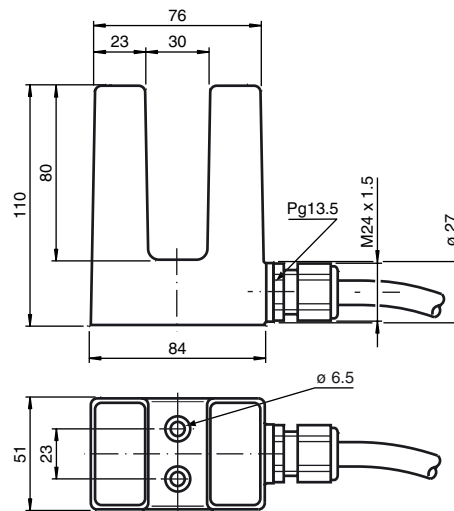
Features

- 30 mm slot width
- 2-wire AC

Connection



Dimensions



Technical Data

General specifications

Switching element function	AC	NO
Slot width	30 mm	
Depth of immersion (lateral)	27 ... 31 mm	
Output polarity	AC	

Nominal ratings

Operating voltage	U_B	20 ... 253 V AC ¹⁾
Switching frequency	f	0 ... 25 Hz
Momentary current (20 ms, 0.1 Hz)	0 ... 4000 mA	
Operating current	I_L	10 ... 500 mA
Off-state current	I_r	0.8 ... 2.5 mA

Ambient conditions

Ambient temperature	-25 ... 70 °C (-13 ... 158 °F)
---------------------	--------------------------------

Mechanical specifications

Connection type	cable PVC , 2 m
Core cross-section	0.75 mm ²
Housing material	ABS
Protection degree	IP67
Mass	450 g
Note	¹⁾ In the temperature range below 0 °C, permissible operating voltage U_b 80...253 V

Compliance with standards and directives

Standard conformity	
Standards	EN 60947-5-2:2007 IEC 60947-5-2:2007

Approvals and certificates

UL approval	cULus Listed, General Purpose
CSA approval	cCSAus Listed, General Purpose