

**rotoScan ROD4plus / ROD4-08plus**  
Area Scanning Distance Sensor



# Sales and Service

## Germany

### Sales Region North

Phone 07021/573-306  
 Fax Int. + 34 93 4097900  
 Fax Int. + 34 93 9493515

Postal code areas  
 20000-38999  
 40000-65999  
 97000-97999

### Sales Region South

Phone 07021/573-307  
 Fax Int. + 33 160 0503-11

Postal code areas  
 66000-96999

### Sales Region East

Phone 035027/629-106  
 Fax 035027/629-107

Postal code areas  
 01000-19999  
 39000-39999  
 98000-99999

## Worldwide

### AR (Argentina)

Nortécnica S. R. L.  
 Tel. Int. + 54 1147 57-3129  
 Fax Int. + 54 1147 57-1088

### AT (Austria)

Schmachtl GmbH  
 Tel. Int. + 43 732 76460  
 Fax Int. + 43 732 785036

### AU + NZ (Australia + New Zealand)

Balluff-Leuze Pty. Ltd.  
 Tel. Int. + 61 3 9720 4100  
 Fax Int. + 61 3 9738 2677

### BE (Belgium)

Leuze electronic nv/sa  
 Tel. Int. + 32 2253 16-00  
 Fax Int. + 32 2253 15-36

### BG (Republic of Bulgaria)

ATICS  
 Tel. Int. + 359 2 847 6244  
 Fax Int. + 359 2 847 6244

### BR (Brasil)

Leuze electronic Ltda.  
 Tel. Int. + 55 11 5180-6130  
 Fax Int. + 55 11 5181-3597

### BY (Republic of Belarus)

Logoprom ODO  
 Tel. Int. + 375 017 235 2641  
 Fax Int. + 375 017 230 8614

### CH (Switzerland)

Leuze electronic AG  
 Tel. Int. + 41 44 834 02-04  
 Fax Int. + 41 44 833 26-26

### CL (Chile)

Imp. Tec. Vignola S.A.I.C.  
 Tel. Int. + 56 3235 11-11  
 Fax Int. + 56 3235 11-28

### CN (People's Republic of China)

Leuze electronic Trading  
 (Shenzhen) Co. Ltd.  
 Tel. Int. + 86 755 862 64909  
 Fax Int. + 86 755 862 64901

### CO (Colombia)

Componentes Electronicas Ltda.  
 Tel. Int. + 57 4 3811049  
 Fax Int. + 57 4 3511019

### CZ (Czech Republic)

Schmachtl CZ s.r.o.  
 Tel. Int. + 420 244 0015-00  
 Fax Int. + 420 244 9107-00

### DK (Denmark)

Desim Elektronik APS  
 Tel. Int. + 45 7022 00-66  
 Fax Int. + 45 7022 22-20

### ES (Spain)

Leuze electronic S.A.  
 Tel. Int. + 34 93 4097900  
 Fax Int. + 34 93 9493515

### FI (Finland)

SKS-automaatio Oy  
 Tel. Int. + 358 20 764-61  
 Fax Int. + 358 20 764-6820

### FR (France)

Leuze electronic sarl.  
 Tel. Int. + 33 160 0512-20  
 Fax Int. + 33 160 0503-65

### GB (United Kingdom)

Leuze Mayer electronics Ltd.  
 Tel. Int. + 44 14 8040 85-00  
 Fax Int. + 44 14 8040 38-08

### GR (Greece)

UTEKO A.B.E.E.  
 Tel. Int. + 30 211 1206 900  
 Fax Int. + 30 211 1206 999

### HK (Hong Kong)

Sensortech Company  
 Tel. Int. + 852 26510188  
 Fax Int. + 852 26510388

### HR (Croatia)

Tipteh Zagreb d.o.o.  
 Tel. Int. + 385 1 381 6574  
 Fax Int. + 385 1 381 6577

### HU (Hungary)

Kvaik Automatika Kft.  
 Tel. Int. + 36 272 2242  
 Fax Int. + 36 272 2244

### ID (Indonesia)

P.T. Yabestindo Mitra Utama  
 Tel. Int. + 62 21 92861859  
 Fax Int. + 62 21 6451044

### IL (Israel)

Galoz electronics Ltd.  
 Tel. Int. + 972 3 9023456  
 Fax Int. + 972 3 9021990

### IN (India)

Global-Tech (India) Pvt. Ltd.  
 Tel. Int. + 91 20 24470085  
 Fax Int. + 91 20 24470086

### IR (Iran)

Tavan Rissan Co. Ltd.  
 Tel. Int. + 98 21 2606766  
 Fax Int. + 98 21 2002883

### IT (Italy)

Leuze electronic s.r.l.  
 Tel. Int. + 39 02 26 1106-43  
 Fax Int. + 39 02 26 1106-40

### JP (Japan)

C. Illies & Co., Ltd.  
 Tel. Int. + 81 3 3443 4143  
 Fax Int. + 81 3 3443 4118

### KE (Kenia)

Profa-Tech Ltd.  
 Tel. Int. + 254 20 828095/6  
 Fax Int. + 254 20 828129

### KR (South Korea)

Leuze electronic Co., Ltd.  
 Tel. Int. + 82 31 3828228  
 Fax Int. + 82 31 3828522

### KZ (Republic of Kazakhstan)

KazPromAutomatics Ltd.  
 Tel. Int. + 7 7212 50 11 50  
 Fax Int. + 7 7212 50 11 50

### MK (Macedonia)

Tipteh d.o.o. Skopje  
 Tel. Int. + 389 70 399 474  
 Fax Int. + 389 23 174 197

### MX (Mexico)

Leuze Lumiflex México, S.A. de C.V.  
 Tel. Int. + 52 8183 7186-16  
 Fax Int. + 52 8183 7185-88

### MY (Malaysia)

Ingermark (M) SDN.BHD  
 Tel. Int. + 60 360 3427-88  
 Fax Int. + 60 360 3421-88

### NG (Nigeria)

SABROW HI-TECH E. & A. LTD.  
 Tel. Int. + 234 80333 86366  
 Fax Int. + 234 80333 84463518

### NL (Netherlands)

Leuze electronic BV  
 Tel. Int. + 31 418 65 35-44  
 Fax Int. + 31 418 65 38-08

### NO (Norway)

Elteco A/S  
 Tel. Int. + 47 35 56 20-70  
 Fax Int. + 47 35 56 20-99

### PL (Poland)

Balluff Sp. z o.o.  
 Tel. Int. + 48 71 338 49 29  
 Fax Int. + 48 71 338 49 30

### PT (Portugal)

L&P2 Ltda.  
 Tel. Int. + 851 214 447070  
 Fax Int. + 851 214 447075

### RO (Romania)

O'BOYLE s.r.l.  
 Tel. Int. + 40 2 56221036  
 Fax Int. + 40 2 56221036

### RS (Republic of Serbia)

Tipteh d.o.o. Beograd  
 Tel. Int. + 381 11 3131 057  
 Fax Int. + 381 11 3018 326

### RU (Russian Federation)

Leuze electronic OOO  
 Tel. Int. + 7 495 9337505  
 Fax Int. + 7 495 9337505

### SE (Sweden)

Leuze electronic AB  
 Tel. + 46 8 7315190  
 Fax + 46 8 7315105

### SG + PH (Singapore + Philippines)

Balluff Asia pte Ltd  
 Tel. Int. + 65 6252 43-84  
 Fax Int. + 65 6252 90-90

### SI (Slovenia)

Tipteh d.o.o.  
 Tel. Int. + 386 1200 51-50  
 Fax Int. + 386 1200 51-51

### SK (Slovakia)

Schmachtl SK s.r.o.  
 Tel. Int. + 421 2 58275600  
 Fax Int. + 421 2 58275601

### TH (Thailand)

Industrial Electrical Co. Ltd.  
 Tel. Int. + 66 2 6426700  
 Fax Int. + 66 2 6424249

### TR (Turkey)

Balluff Sensör Ltd. Sti.  
 Tel. Int. + 90 212 3200411  
 Fax Int. + 90 212 3200416

### TW (Taiwan)

Great Colue Technology Co., Ltd.  
 Tel. Int. + 886 2 29 83 80-77  
 Fax Int. + 886 2 29 83 33-73

### UA (Ukraine)

SV Altera OOO  
 Tel. Int. + 38 044 4961888  
 Fax Int. + 38 044 4961818

### US + CA (United States + Canada)

Leuze electronic, Inc.  
 Tel. Int. + 1 248 486-4466  
 Fax Int. + 1 248 486-6699

### ZA (South Africa)

Countapulse Controls (PTY) Ltd.  
 Tel. Int. + 27 116 1575-56  
 Fax Int. + 27 116 1575-13

<b>1</b>	<b>General information</b> .....	<b>4</b>
1.1	Explanation of symbols .....	4
1.2	Declaration of conformity .....	4
<b>2</b>	<b>Safety notices</b> .....	<b>5</b>
2.1	Safety standards .....	5
2.2	Application conditions and intended use.....	6
2.3	Restrictions with regards to use .....	7
2.4	Working safely .....	8
2.5	Organisational measures .....	9
<b>3</b>	<b>Description</b> .....	<b>10</b>
3.1	Technical overview .....	10
3.1.1	Object measurement .....	11
3.1.2	Object detection .....	11
3.2	Operating principle .....	12
3.2.1	Measurement function .....	13
3.2.2	Switching function.....	13
3.3	Special features of the ROD4...plus .....	13
3.4	Application examples .....	14
3.4.1	Object measurement: .....	14
3.4.2	Object detection.....	15
<b>4</b>	<b>Mounting</b> .....	<b>18</b>
<b>5</b>	<b>Electrical connection</b> .....	<b>19</b>
5.1	Connecting the rotoScan ROD4...plus .....	19
5.1.1	Connection functions Y1 to Y4 .....	20
5.1.2	Connector assignments for connection Y1 .....	21
5.1.3	Connector assignments for connection Y2 (Ethernet).....	21
5.1.4	Connector assignments for connection Y3 (service) .....	22
5.1.5	Connector assignments for connection Y4 (RS 232/RS 422).....	23
5.2	Functions of connection Y1 .....	24
5.2.1	Input circuit .....	24
5.2.2	Output circuit.....	26
5.2.3	Restart .....	27
5.3	Functions of connection Y2.....	27
5.3.1	Y2 default settings .....	27
5.4	Functions of connection Y3.....	28
5.4.1	Y3 default settings .....	28
5.5	Functions of connection Y4.....	28
5.5.1	Y4 default settings .....	28
5.6	Connection.....	29
5.6.1	Electrical supply.....	29

5.6.2	Button for restarting.....	29
5.7	Integration in the control system .....	30
5.7.1	Connection example 1: without detection field pair switch .....	30
5.7.2	Connection example 2: with detection field pair switch .....	31
<b>6</b>	<b>Commissioning .....</b>	<b>32</b>
6.1	Hardware and software requirements .....	32
6.2	Device configuration .....	32
6.2.1	<b>Configuring measurement applications with RODplussoft .....</b>	<b>33</b>
6.2.2	<b>Selecting the measurement data protocol .....</b>	<b>33</b>
6.2.3	<b>Defining detection fields with RODsoft .....</b>	<b>34</b>
6.3	Screwing down and aligning the device.....	35
6.4	Switching on the device .....	35
<b>7</b>	<b>Testing and maintenance .....</b>	<b>36</b>
7.1	Testing .....	36
7.2	Cleaning.....	36
<b>8</b>	<b>Delivery contents and accessories .....</b>	<b>37</b>
8.1	Scope of delivery .....	37
8.2	Accessories.....	37
8.2.1	Pin assignments KB-014S-...-14.....	38
8.2.2	Pin assignments KB-ROD4plus.....	38
8.2.3	Pin assignments KB ET-...-SA-RJ45 (cross-over cable) .....	38
8.2.4	Pin assignments KB ET-...-SA.....	39
8.2.5	Pin assignments K-D M12A-8P-.....	39
8.2.6	BT ROD4 mounting system.....	40
<b>9</b>	<b>Technical data .....</b>	<b>41</b>
9.1	Object measurement.....	41
9.2	Detection field data .....	41
9.3	Electrical data .....	42
9.4	Software .....	43
9.5	Optical data .....	43
9.6	Environmental data .....	46
9.7	Dimensioned drawing ROD4...plus .....	47
<b>10</b>	<b>Status messages, errors and error rectification .....</b>	<b>48</b>
10.1	Ethernet status indicator .....	48
10.2	ROD4...plus status indicator.....	49
10.2.1	Status displays .....	50
10.3	Diagnostic codes and causes .....	50
<b>11</b>	<b>Appendix.....</b>	<b>54</b>
11.1	Terms and abbreviations ROD4...plus .....	54

Table 2.1:	Standards and directives .....	5
Figure 2.1:	Attachment of the stick-on label with warning notices .....	8
Table 3.1:	Device types .....	10
Figure 3.1:	Detection fields .....	10
Figure 3.2:	Working range and angular resolution .....	12
Figure 3.3:	Operating principle .....	12
Figure 3.4:	Application example - gripping system .....	14
Figure 3.5:	Application example - gantry crane .....	14
Figure 3.6:	Application example - dimension measurement .....	15
Figure 3.7:	Application example - service robot .....	15
Figure 3.8:	Application example - automatic parking garage .....	16
Figure 3.9:	Application example - high-bay warehouse .....	16
Figure 5.1:	Connecting the rotoScan ROD4...plus .....	19
Table 5.1:	Connections of the ROD4...plus – Y1 to Y4 .....	20
Table 5.2:	Pin assignments for connection Y1 .....	21
Table 5.3:	Pin assignments for connection Y2 .....	21
Table 5.4:	Connection M12 to M12 .....	22
Table 5.5:	Connection M12 to RJ45 (1:1) .....	22
Table 5.6:	Pin assignments for connection Y3 .....	22
Table 5.7:	Pin assignments for connection Y4 .....	23
Figure 5.2:	Inputs of interface Y1 .....	24
Figure 5.3:	Example: Detection field pair switch for a DTS application .....	25
Figure 5.4:	Outputs of interface X1 .....	26
Figure 5.5:	Connection example without detection field pair switch .....	30
Figure 5.6:	Connection example with detection field pair switch .....	31
Figure 6.1:	User interface of the RODsoft configuration software .....	34
Figure 8.1:	Dimensioned drawing BT ROD4...plus .....	40
Table 9.1:	Technical data - object measurement .....	41
Table 9.2:	Technical data - detection fields .....	41
Table 9.3:	Technical data - electrical data .....	43
Table 9.4:	Technical data - software .....	43
Table 9.5:	Technical data - optical data .....	43
Figure 9.1:	Object size/diffuse reflection as a function of distance for the ROD4plus .....	44
Figure 9.2:	Typical beam dimensions with the ROD4...plus .....	45
Table 9.6:	Technical data - environmental data .....	46
Figure 9.3:	Dimensioned drawing ROD4...plus .....	47
Figure 10.1:	Ethernet status indicator .....	48
Figure 10.2:	ROD4...plus status indicator .....	49
Table 10.1:	Status displays on the rotoScan ROD4...plus .....	50
Table 10.2:	ROD4...plus - Diagnostic codes and causes .....	51

## 1 General information

### 1.1 Explanation of symbols

The symbols used in this technical description are explained below.



**Attention!**

*This symbol appears before text passages which must absolutely be observed. Failure to heed this information may lead to injuries to personnel or damage to the equipment.*



**Attention Laser!**

*This symbol warns of possible danger through hazardous laser radiation.*

*The laser used in the ROD4...plus is a laser device of laser safety class 1 acc. to DIN EN 60825-1. Observe the legal and local regulations applicable to the operation of laser units.*



**Notice!**

*This symbol indicates text passages containing important information.*

### 1.2 Declaration of conformity

The rotoScan ROD4plus and rotoScan ROD4-08plus distance sensors have been developed and produced in accordance with the applicable European standards and directives.



**Notice!**

*The corresponding declaration of conformity can be requested from the manufacturer.*

The manufacturer of the product, Leuze electronic GmbH + Co. KG in D-73277 Owen/Teck, possesses a certified quality assurance system in accordance with ISO 9001.



## 2 Safety notices

### 2.1 Safety standards

The rotoScan ROD4plus / rotoScan ROD4-08plus distance sensor (abbreviated as ROD4...plus in the following) has been developed, produced and tested subject to the applicable safety standards. It represents the state of the art.

#### **Standards and directives**

The standards and directives which apply in Europe and which are to be observed during the use and installation of the ROD4...plus are listed below:

Standard or directive	Designation
98/37/EC	Machine directive
73/23/EEC	Low voltage directive
89/336/EEC	EMC - directive

Table 2.1: Standards and directives

#### **Laser**

If the functionality is not ensured, the error output is immediately activated. The laser output power and the rotational speed of the mirror are continuously monitored by the built-in control system to ensure that the requirements of laser protection class I are satisfied.

#### **Reference measurement**

A reference measurement cyclically controls the measurement function. The following functions are checked on each rotation of the mirror by means of a test object located inside of the device:

- optical systems (e.g. transmitter and receiver)
- hardware, software, etc.

#### **Window monitoring**

A total of six light axes monitor the degree of soiling of the window. During this procedure, the results are compared with two reference sensors. Moreover, these reference sensors are used for temperature compensation and ageing monitoring.

#### **Monitored processing**

The processing of measurement values in the ROD4...plus is monitored by a separate component, i.e. errors in program execution are detected immediately and appropriate protective measures initiated.

#### **Software test**

The entire system is tested when first switched on and during operation.

## 2.2 Application conditions and intended use



### **Attention!**

*The protection of personnel and the device cannot be guaranteed if the device is operated in a manner not corresponding to its intended use.*

The relevant regulations for machine safety apply to the use of the ROD4...plus. The responsible authorities (e.g. the employer's liability insurance association, OSHA) are available for questions related to issues of safety. In general, the following application conditions are to be maintained:

- If a protective housing is provided for the scanner, the detection must not occur through additional window material (plastic, glass, etc.).
- Physical contact with the front cover of the scanner and the six diffused-light windows is to be avoided.
- The electrical integration of the ROD4...plus in the control must only be performed by electricians.
- The 24VDC power supply (+20%..-30%) must guarantee a safe mains separation acc. to IEC 742. The same requirements apply for all connected input and output power circuits.
- The 24VDC power supply must be fed into the scanner via a separate branch by means of a 2.5A fuse (without heating) or a 4A fuse (with heating), semi time-lag, installed in the switch cabinet.
- Operation is permissible only with control cable (Y1) screwed down.
- Alarm outputs 1 (pins P and R on Y1) must not be used to switch safety-relevant signals.
- The system (scanner, machine, control and switching components) must only be tested if no persons are placed at risk by the test.
- Access to or changes on the ROD4...plus could result in the loss of proper device function.
- Commissioning, maintenance, parameter settings and detection-field configurations are only to be performed by trained personnel. Knowledge of the safety notices provided in these connection and operating instructions as well as in the operating instructions of the **RODplussoft** (measurement tasks) and **RODsoft** (detection tasks) programs is part of the required general knowledge.
- If the start disable/manual restart is provided, a test of all detection fields should be performed prior to release - there must not be any objects in the detection fields.



## **2.3 Restrictions with regards to use**

- Glass, highly reflective materials such as mirrors (luminosity coefficient > 10,000%) as well as objects which do not reflect any light back to the sensor could falsify the measurement value. Additional notices can be found in chapter 9.5.
- Do not expose the ROD4...plus to flying sparks (e.g. welding sparks); the front cover, among other parts of the system, will be damaged.
- Vapours, smoke, dust and all particles visible in the air could affect the measurement values and cause the semiconductor outputs to switch off.
- Avoid large temperature fluctuations.

## 2.4 Working safely



**Attention: Invisible laser radiation!**

*The distance sensor ROD4...plus operates with an infrared laser of class 1 acc. to EN 60825-1.*

*The use of operating and adjusting devices other than those specified in this technical description, carrying out of differing procedures, or improper use of the distance sensor may lead to dangerous exposure to radiation!*

*The use of optical instruments or devices in combination with the device can increase the danger of eye damage!*

*Adhere to the applicable legal and local regulations regarding protection from laser beams acc. to EN 60825-1 in its latest version. Avoid mounting the distance sensor at eye level.*

*The front cover is the only opening through which the laser radiation can escape from the device. The housing of the ROD4...plus distance sensor is sealed and has no parts that need to be adjusted or maintained by the user. The device must not be tampered with and must not be changed in any way!*

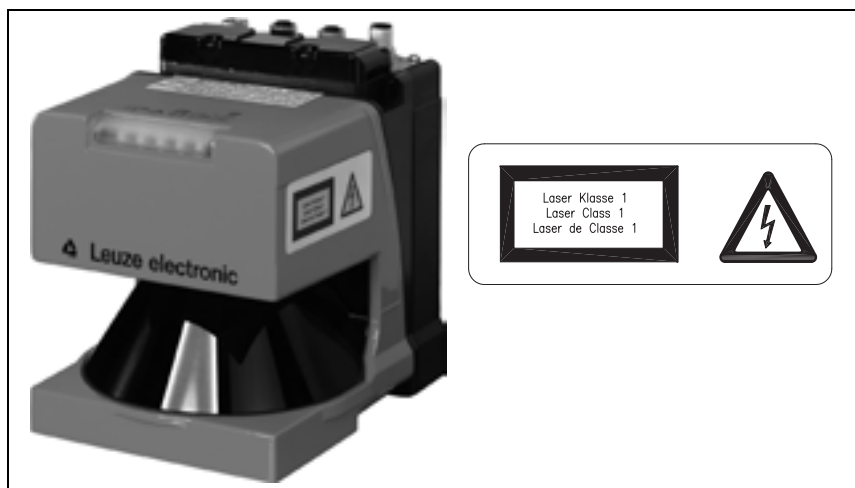


Figure 2.1: Attachment of the stick-on label with warning notices



**Attention!**

*Access and changes to the device, except where expressly described in this operating manual, are not authorised.*

## **2.5 Organisational measures**

### ***Documentation***

All entries in this technical description must be observed, in particular those in chapter 2. Keep this technical description in a safe place. It should be accessible at all times.

### ***Safety regulations***

Observe the locally applicable legal regulations and the rules of the employer's liability insurance association.

### ***Qualified personnel***

Mounting, commissioning and maintenance of the device may only be carried out by qualified personnel.

Electrical work must be carried out by a certified electrician.

### ***Repair***

Repairs must only be carried out by the manufacturer or an authorised representative.

### 3 Description

#### 3.1 Technical overview

Designation	Type	Part No.
rotoScan ROD4plus	without heater	501 06481
rotoScan ROD4-08plus	with integrated heating, dust-insensitive version	501 06480

Table 3.1: Device types

The ROD4...plus is an optical, two-dimensional measuring distance sensor. It could also be referred to as an optical, area radar unit. The device periodically transmits light pulses within an angular range of 190° via a rotating deflector unit.

If the pulses are incident upon objects or obstacles, the light is reflected and then received and analysed by the ROD4...plus. From the propagation time of the radiated light and the current angle of the deflector unit, the ROD4...plus unit calculates the exact coordinates of the object.

These data can be used by the ROD4...plus for 2 different areas of application:

1. **Object measurement**

An angular resolution of 0.36° allows the distance to objects to be measured with an accuracy of 5mm within the measurement range drawn in figure 3.1.

2. **Object detection**

Detection field contours can be defined within the detection fields drawn in figure 3.1. If an object is located within these detection field contours, this is reported by the ROD4...plus to the configurable switching outputs.

For **object measurement** tasks, the device is configured using the **RODplussoft** software.

If the ROD4...plus is to be used for **object detection**, device configuration is performed with **RODsoft**.

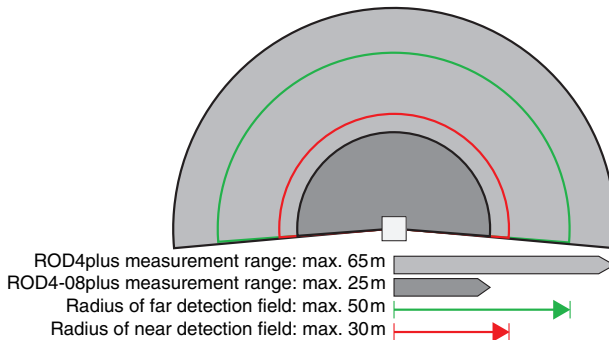


Figure 3.1: Detection fields

The ROD4...plus can be used both on vehicles (mobile object detection for vehicles) as well as in stationary applications on systems and machines (object detection/measurement).

The long-range and contactless measurement principle makes the ROD4...plus unit a universally applicable measuring system.

### 3.1.1 Object measurement

In measurement operation, the ROD4...plus transfers all measured distance data to a primary control or to a PC. An object contour can be calculated from the measurement data.

The **RODplussoft** software can be used to configure the Ethernet interface (Y2) and the serial interface (Y4) for outputting the measurement data. Furthermore, the type of protocol used for measurement data transfer can be set.

In addition, preprocessing of the measurement data can be performed in the ROD4...plus:

- The data quantity can be reduced in order to match the quantity to the possible transmission speed
- The measurement data can be filtered on the basis of user-defined specifications

For further information on measurement data preparation, please refer to the **RODplussoft** manual.

### 3.1.2 Object detection

For object detection, detection fields are defined with the **RODsoft** software.

If an object or obstacle is located within these detection fields, a stop function is executed.

The ROD4...plus can detect objects with diameters greater than 20mm at a distance of up to 4.0m, even if the surface of the given object is dark. Larger objects are detected in the **far** detection field at a distance of up to 50m.

### 3.2 Operating principle

The working range of the ROD4...plus (190°) is divided into 0.36° angular segments (corresponds to 529 measurement values).

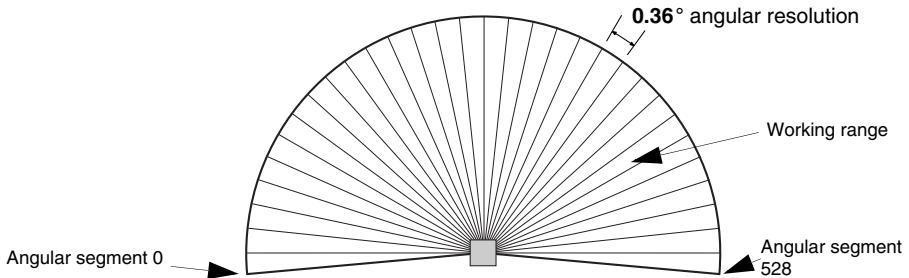


Figure 3.2: Working range and angular resolution

Bundled light pulses are generated by a laser diode with coupled transmission optics. These light pulses are reflected by a rotating mirror in such a way that a light pulse is emitted every 40ms in all angular segments (scanning rate: 25scans/s). If the light pulse is incident upon an object, it is reflected and subsequently detected and analysed by the ROD4...plus.

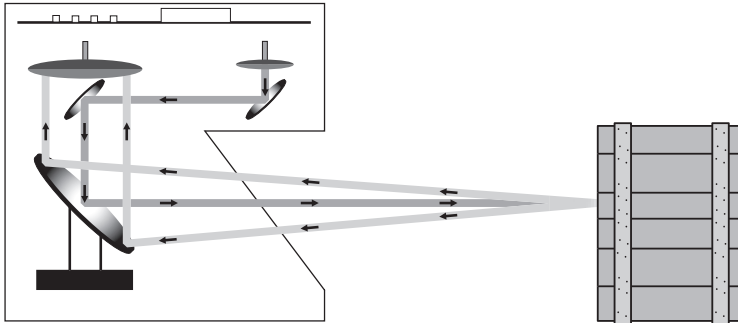


Figure 3.3: Operating principle

The ROD4...plus works on the principle of pulse propagation time measurement. The light pulse propagation time is a direct measurement of the distance to the object.

The measurement values are transferred via interfaces Y2 and Y4 as 16bit data (2 bytes).

One scan over the working range returns 529 measurement values (from angle  $-5.04^\circ$  to angle  $+185.04^\circ$  with  $0.36^\circ$  angular resolution). Thus, each individual measurement value corresponds to an angular segment of  $0.36^\circ$ . The measurement values are sequentially numbered from segment 0 ( $-5.04^\circ$ ) to segment 528 ( $+185.04^\circ$ ), see figure 3.2.

### 3.2.1 Measurement function

You can configure the measurement functions of the ROD4...plus yourself with the supplied **RODplussoft** software.

You can define the measurement mode (continuous/individual measurement), define measurement segments (start/stop angle, angular resolution), as well as define the type of measurement data transfer (in polar or cartesian coordinates) and pre-process and filter the measurement results in the ROD4...plus.

### 3.2.2 Switching function

You can configure the switching functions of the ROD4...plus yourself with the supplied **RODsoft** software. In addition to the device configuration, the software can also be used to define detection field pairs, adapt them to the given application and to save the same in the ROD4...plus.

Four reversible detection field pairs make possible an optimal adaptation to the applications. A detection field pair is considered to be the combination of both a **near** and **far** detection field. The **near** and **far** detection fields are represented by different colours in the **RODsoft** configuration software: **near** = red, **far** = green.

The image of the surroundings generated during the scan process is compared with the specified detection field contours. If an object violates a detection field for a least one scan (40ms), a corresponding, user-specific reaction is triggered.

## 3.3 Special features of the ROD4...plus

- Working range up to 190°
- Small construction size (W x D x H: 141 mm x 168 mm x 167 mm)
- Low weight (2.3kg)
- Low current consumption
- Two interfaces for measurement data transfer:
  - Ethernet at socket Y2
  - RS 232/RS 422 at connector Y4
- Easy-to-use **RODplussoft** and **RODsoft** configuration software
- Measurement data processing:
  - X,Y coordinate transformation
  - Area configuration
  - Measurement data filtering: minimum and maximum values
  - Online commands
- Four freely programmable **near** detection fields (up to maximum 30m)
- Four freely programmable **far** detection fields (up to maximum 50m)

### 3.4 Application examples

The following examples can be considered typical areas of application for the ROD4...plus.

#### 3.4.1 Object measurement:

##### ***Gripping system***

Dimension and position measurement for gripping operations



Figure 3.4: Application example - gripping system

##### ***Gantry crane***

ROD4...plus for positioning a gantry crane

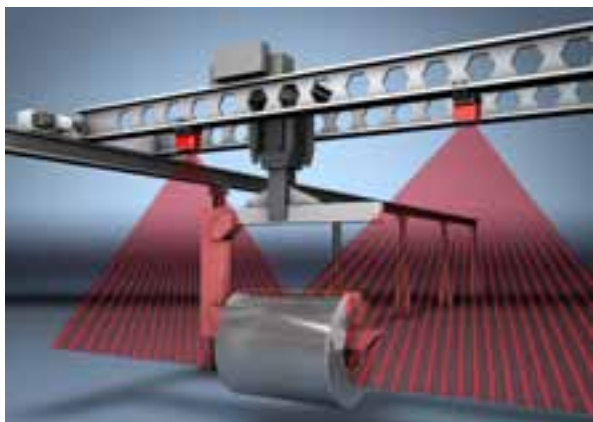


Figure 3.5: Application example - gantry crane



***Pallet measurement***

Dimension measurement in materials handling



Figure 3.6: Application example - dimension measurement

**3.4.2 Object detection**

***Driverless transportation system***

ROD4...plus as the "eye" of a service robot



Figure 3.7: Application example - service robot

***Automatic parking garage***

Overshoot and dimension detection of cars to prevent damage to the car



Figure 3.8: Application example - automatic parking garage

***High-bay warehouse***

Overshoot detection for collision prevention with high-bay storage devices



Figure 3.9: Application example - high-bay warehouse

***Other applications***

- Buffing protection (e.g. for telpher lines)
- Overshoot detection (e.g. in fully automatic parking systems)
- Detection / counting of persons
- Room security / façade monitoring
- Access control
- Contour measurement
- Packet measurement / volume measurement
- etc.

## 4 Mounting

Mount the ROD4...plus so that the area being monitored is within the measurement range of the device.



### **Attention!**

*Because of the optical scanning principle, only objects with good reflective properties are detected directly in front of the sensor window.*

*Physical damage to the sensor (e.g. due to collision or climbing on) should be prevented by using a protective enclosure. If using an enclosure, the entire front cover of the device must, however, remain unobstructed.*

In order for the ROD4...plus to function optimally, it must be mounted in a favourable position. You should make every effort to observe the following points:

- Position the ROD4...plus such that it has maximum protection.
- The mounting location and the electrical supply should be located as close as possible to one another.
- The ROD4...plus is to be mounted so that the area being monitored is within the measurement range of the device.
- The mounting position of the rotoScan ROD4... must offer protection from humidity, soiling, as well as temperatures below 0 °C (ROD4plus) or -20 °C (ROD4-08plus) and above 50 °C.
- The mounting location is to be selected such that the possibilities for mechanical damage are minimised. Exposed locations are to be equipped with additional protective guards or loop guards.
- Reinforcements, enclosures, mounting alcoves and other machine elements must not result in an obstruction in the field of vision.
- Retro-reflectors or very reflective surfaces, such as certain metals or ceramics, are to be avoided near the detection fields and at the height of the scanning plane as these may result in measurement errors.
- To ensure a constant detection height at every point in the measurement range, the ROD4...plus, and thus the beam plane, is to be mounted parallel to the reference plane.
- If the ROD4...plus is used without start disable or start test with automatic start/restart, a start warning (optical/acoustic) is to be provided.
- The ROD4...plus must not be used as a climbing aid. If there is a risk of this, a suitable, inclined (45°) protector is to be mounted.

The device dimensions and the reference of the scanning plane to the device edges can be found in the dimensioned drawing (see figure 9.3 on page 47). Here, the zero point for the distance measurement is the axis of rotation of the rotating mirror (a in figure 9.3). Mounting system BT ROD4...plus, see chapter 8.2.6.



### **Notice!**

*Under certain circumstances, a larger measurement inaccuracy may occur with strongly reflective backgrounds (e.g. retro-reflectors).*

## 5 Electrical connection

### 5.1 Connecting the rotoScan ROD4...plus

To **configure** the ROD4...plus, connect the control cable (KB-014-5000-14, plug Y1) to the power supply and the interface cable (KB-ROD4plus-..., socket Y3) to the PC or laptop. Furthermore, interface Y2 for transferring the process data should be connected to the PC or the same network as the PC.



**Notice!**

To **configure the measurement function** with **RODplussoft**, **Y2** or **Y4** may be connected instead of **Y3**. For the initial configuration of the interfaces, it is, however, recommended that **Y3** be connected.

To **transfer the process data** with **RODplussoft**, **Y2** or **Y4** may be selected. Following the initial configuration, subsequent configuration can be performed in parallel with process data transfer **via a single interface (Y2 or Y4)**.

To configure the detection function with **RODsoft**, it is absolutely necessary to connect **Y3**.

Before commissioning the system, please check the pin assignments, the wiring, the supply voltage and the safeguarding. In spite of the robust housing and fittings of the ROD4...plus, which include various internal safety mechanisms, damages resulting from misconnection cannot be excluded.

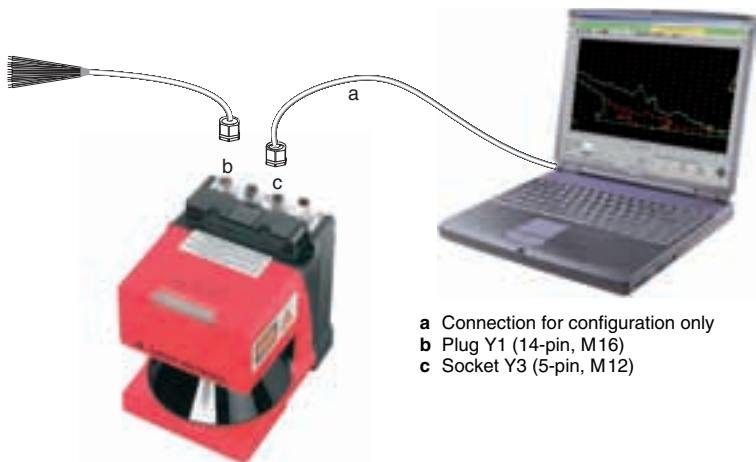


Figure 5.1: Connecting the rotoScan ROD4...plus



**Attention!**

Should you not need one of the interfaces, close the respective connector with a blank plug. If a connector remains open, the ROD4...plus no longer has protection class IP 65.

## 5.1.1 Connection functions Y1 to Y4

Connection	Connector	Signals
Y1	M16 plug 14-pin	Logic interface <ul style="list-style-type: none"> <li>• Power supply</li> <li>• Switching outputs/alarm output</li> <li>• Inputs for field pair switch</li> <li>• Restart/reset input</li> </ul>
Y2	M12 socket D-coded 4-pin	Ethernet interface <ul style="list-style-type: none"> <li>• Ethernet measurement data transfer at 10/100Mbit/s</li> <li>• Configuration, measurement data transfer, diagnostics with <b>RODplussoft</b></li> </ul>
Y3	M12 socket 5-pin	Interface rotoScan ROD4...plus <-> PC <ul style="list-style-type: none"> <li>• Detection field definition with <b>RODsoft</b></li> <li>• Configuration, diagnostics with <b>RODplussoft</b></li> </ul>
Y4	M12 plug 8-pin	RS 232/RS 422 interface <ul style="list-style-type: none"> <li>• Factory setting: Measurement data transfer at 115kbit/s</li> <li>• Configuration, measurement data transfer, diagnostics with <b>RODplussoft</b></li> </ul>

Table 5.1: Connections of the ROD4...plus – Y1 to Y4

5.1.2 Connector assignments for connection Y1

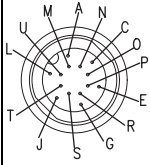
	PIN	Signal	Description
	A	U <sub>B</sub>	Supply voltage +24VDC
	C	GND	Supply voltage ground
	E	FPS1	Switch to detection field pair 1
	G	FPS2	Switch to detection field pair 2
	J	FPS3	Switch to detection field pair 3
	L	FPS4	Switch to detection field pair 4
	M	Restart	Safe input "restart-disable", reset the ROD4...plus and connection of the restart button
	N	Fn1	Semiconductor output, shutdown on object detection in the <b>near</b> detection field, channel 1.
	O	Fn2	Semiconductor output, shutdown on object detection in the <b>near</b> detection field, channel 2.
	P	ALARM2	Warning and error output.
	R	ALARM1	Output for object detection in the <b>far</b> detection field and for warning messages such as "Window lightly soiled" or "Window heavily soiled" (configurable).
	S	NC	Do not use!
	T	NC	Do not use!
	U	NC	Do not use!

Table 5.2: Pin assignments for connection Y1



**Notice!**

For interfaces Y1 to Y4, ready-made cables are also available. See "Accessories" on page 37.

5.1.3 Connector assignments for connection Y2 (Ethernet)

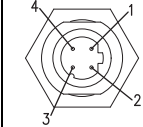
	PIN	Signal	Description
	1	TX+	Data communication, transmission
	3	TX-	Data communication, transmission
	2	RX+	Data communication, reception
	4	RX-	Data communication, reception

Table 5.3: Pin assignments for connection Y2

For an Ethernet connection, you should connect TX+ to TX+, TX- to TX-, RX+ to RX+ and RX- to RX-. The contact assignments on the Y2 M12-socket correspond to the PROFINet

standard. The following tables apply for cable fabrication. Alternatively, a crossover cable can be used in most cases.

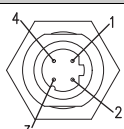
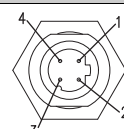
M12	PIN	Signal	PIN	M12
	1	TX+	1	
	3	TX-	3	
	2	RX+	2	
	4	RX-	4	

Table 5.4: Connection M12 to M12

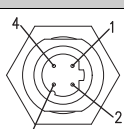

M12	PIN	Signal	PIN	RJ45, e.g. D-ET1
	1	TX+	1	
	3	TX-	2	
	2	RX+	3	
	4	RX-	6	

Table 5.5: Connection M12 to RJ45 (1:1)

### 5.1.4 Connector assignments for connection Y3 (service)

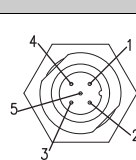
	PIN	Signal	Description
	1	NC	Do not use!
	2	TxD	Data communication, transmission
	3	GND	Data communication, ground
	4	RxD	Data communication, reception
	5	NC	Do not use!

Table 5.6: Pin assignments for connection Y3



5.1.5 Connector assignments for connection Y4 (RS 232/RS 422)



**Notice!**

If you would like to work with an RS 422 interface, you must connect PIN 6 with PIN 5 (GND) by means of a bridge.

	PIN	Signal	Description
	1	Tx+/TxD	Transmitted data
	2	Tx-	
	3	Rx-	Received data
	4	Rx+ / RxD	
	5	GND/shield	Ground/shielding (to be connected only on the cabinet side with PE)
	6	RS 422	Selection RS 232/RS 422, RS 232: leave PIN 6 open RS 422: bridge to PIN 5!
	7	NC	Do not use!
	8	NC	Do not use!

Table 5.7: Pin assignments for connection Y4

## 5.2 Functions of connection Y1

### 5.2.1 Input circuit

There are four connections on the top of the device. A ready-made cable (KB-014-...) is connected at connection Y1 with the 14-pin M16 connector.

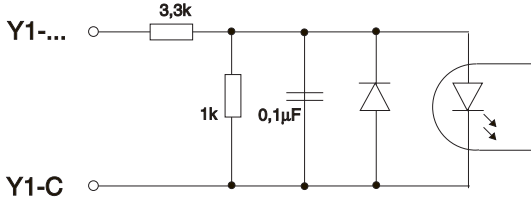


Figure 5.2: Inputs of interface Y1

#### Inputs FPS1 ... FPS4

With the ROD4...plus it is possible to work with up to four detection field pairs. Use inputs **Y1-E** (FPS1), **Y1-G** (FPS2), **Y1-J** (FPS3) and **Y1-L** (FPS4) to switch between the detection field pairs.

Detection field pairs are activated by applying +24VDC (logic: 1) to the appropriate inputs. If no input is wired, detection field pair 1 is activated.



#### Attention!

If an **inadmissible signal combination** (e.g. 1-1-1-1) is applied at inputs FPS1 ... FPS4, a **warning is output at output ALARM2** and **outputs Fn1/Fn2 are switched off**.



#### Notice!

When switching detection field pairs, first switch on the new detection field pair and then switch off the old detection field pair.

#### Example of detection field pair switch:

- Detection field pair 1 (Y1-E) is the active, primary detection field.
- Detection field pair 2 is activated by applying the supply voltage +24VDC to input FPS2 (Y1-G).
- **Both** detection field pairs are active in this state!
- Detection field pair 1 (Y1-E) is switched off if the voltage at pin Y1-E is removed.
- Detection field pair 2 (Y1-G) is active in this state.

**The following situation would be possible with a DTS application (see figure 5.3):**

The vehicle enters an intersection area while detection field pair 1 (I) is switched on (①). To prevent objects from coming into danger, detection field pair 2 (I + II) is switched on before the curve (②). Afterward, detection field pair 1 is switched off. The vehicle travels around the curve with detection field pair 2 (II) active (③). Afterward, detection field pair 1 (I + II) is switched back on (④). Detection field pair 2 is deactivated and the vehicle continues to travel with active detection field pair 1 (I) (⑤).

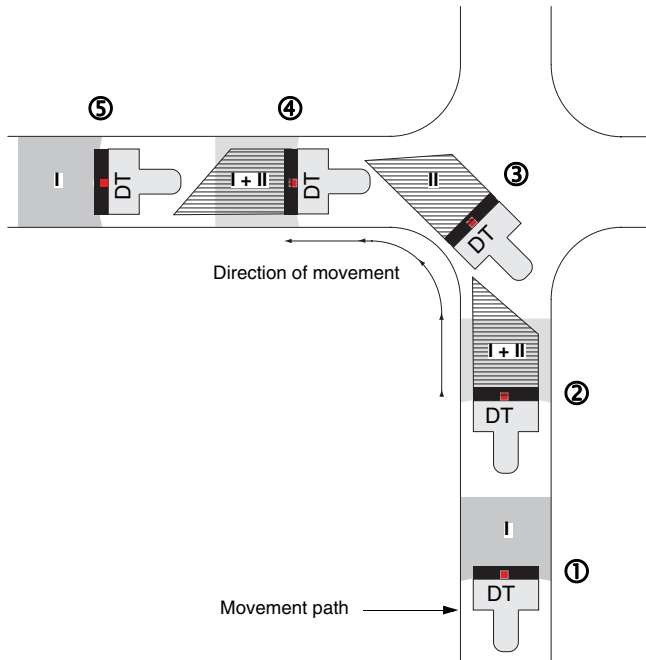


Figure 5.3: Example: Detection field pair switch for a DTS application



**Notice!**

When configuring the switching on or switching off of detection field pairs, take into account that the ROD4...plus switches over within the response time.



**Attention!**

If more than two detection field pairs are selected, the ROD4...plus reports a fault at output **ALARM1** (Y1-R) and via the corresponding LED in the display field.

## 5.2.2 Output circuit

The signal outputs are used to control indicator lamps or relays which indicate the device status. This is switched by a transistor output with open collector set to "active high" (operating voltage).

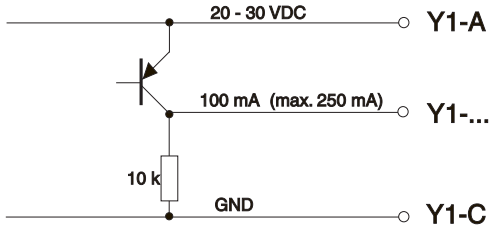


Figure 5.4: Outputs of interface X1

### "Fn1" (Y1-N) and "Fn2" (Y1-O)

These two semiconductor outputs report violation of the **near** detection field. Y1-N and Y1-O = "active high" signals that **no** object is located in the **near** detection field. The "low" state signals the detection of an object in the **near** detection field.

### "ALARM1" (Y1-R)

This output is configured via the **RODsoft** configuration software.

Y1-P = "active high" signals that the ROD4...plus is ready for operation. The "low" output state signals one of the following states:

1. Possibility: Object detection in the **far** detection field.
2. Possibility: Device warning, e.g light window contamination, etc.
3. Possibility: Object detection in the **far** detection field or device warning, e.g. light window contamination, etc.
4. Possibility: No signalling.
5. Possibility: Device error, e.g. faulty reference measurement or rotational speed deviation



### Notice!

A device error output at alarm output "ALARM2" switches all outputs of the ROD4...plus to "low". This means that alarm output "ALARM1" is also on "low" independent of its configuration.

### "ALARM2" (Y1-P)

The "low" output state always signals warning and malfunction states, independent of how output "ALARM1" (Y1-R) is configured.

### 5.2.3 Restart

The RESTART input Y1-M has, depending on operating state, several functions:

- Release of the restart-disable following object detection in the detection field.
- Release of the start disable following a system start.

The functions are activated by applying +24VDC to input Y1-M of an operationally ready ROD4...plus. Outputs Fn1 and Fn2 are switched off in the meantime; the display on the ROD4...plus (LED No. 3) illuminates red. A voltage of +24VDC must be applied to the RESTART input for between 0.12s and 3s.

**Notice!**

*Ensure that the actuation time for the restart input is within the specified times (using a pulse generator if necessary). Malfunctions may otherwise occur.*

**Attention!**

*Restart input Y1-M must be connected to an external, permanently mounted button. Y1-M must not be connected to the rest of the control as, under certain conditions, the application of a restart pulse could result in an unintended release.*

## 5.3 Functions of connection Y2

An Ethernet interface is available at connection Y2. It is used for measurement data transfer with the following protocols:

- Binary, ROD4 compatible
- ASCII Remote

It can also be used for configuring the measurement instrumentation with **RODplussoft**.

The Ethernet interface supports the TCP/IP protocol. According to the protocols mentioned above, each measurement data transfer is initiated with a TCP/IP start frame and ended with a TCP/IP stop frame. Supported data transmission rates are: 10/100Mbd

Cable KB ET ... SA is used to connect the Ethernet interface. On the ROD4...plus end, the cable has a 4-pin, D-coded connector; the cable is open on the other end. If the cable is to be connected to a standard RJ45 network port, it is recommended that the D-ET1 connector be attached to the open cable end.

### 5.3.1 Y2 default settings

The Ethernet interface is configured ex works as follows:

- IP address: 192.168.60.3
- Subnet mask: 255.255.255.0

**Notice!**

*You can use RODplussoft to change the configuration of interface Y2.*

## 5.4 Functions of connection Y3

An RS 232 interface is available at connection Y3 (5-pin M12 socket). It is used to

- configure the measurement function of the ROD4...plus with **RODplussoft**
- configure the detection function of the ROD4...plus with **RODsoft**
- diagnose errors and perform troubleshooting.

The KB-ROD4plus... ready-made cable (accessory) is used for configuring the ROD4...plus.

### 5.4.1 Y3 default settings

Interface Y3 is configured ex works as follows:

- Baud rate: 57.6kBd
- Data bits: 8
- Stop bits: 1
- Parity: none



#### **Notice!**

*These settings cannot be changed.*

## 5.5 Functions of connection Y4

At connection Y4 (8-pin M12 plug), either an RS 232 or RS 422 interface is available. It is used for measurement data transfer with the following protocols:

- Binary, ROD4 compatible
- ASCII Remote

It can also be used for configuring the measurement instrumentation with **RODplussoft**.

According to the protocols mentioned above, in the default setting each measurement data transfer is initiated with an STX command and ended with an ETX command.

The K-D M12A-8P... ready-made cable (accessory) is used for measurement data transfer with an RS 232/RS 422 interface.

### 5.5.1 Y4 default settings

The PC interface is configured ex works as follows:

- Baud rate: 115.2kBd
- Data bits: 8
- Stop bits: 1
- Parity: none



#### **Notice!**

*Only the transmission rate of the interface can be changed using **RODplussoft**.*

## 5.6 Connection

### 5.6.1 Electrical supply

The ROD4...plus requires a DC voltage of +24VDC for its electrical supply. The power consumption is

- for the ROD4plus (without heating) max. 20W
- for the ROD4-08plus (with heating) max. 75W

plus the load at the outputs (max. 20W).

The power supply must be fed in via an **external fuse** (e.g. in a switch cabinet) **2.5A semi time-lag** (ROD4plus) or **4A semi time-lag** (ROD4-08plus). Furthermore, upstream of the safeguard in the supply line, a constant current of 2.5A or 4A, respectively, is to be provided to ensure that the fuse can be tripped in the case of failure.

### 5.6.2 Button for restarting



#### **Attention!**

*Any additionally used switching components (e.g. button for restarting) must be permanently mounted.*

- Loosely position the button at the intended position.
- Switch on the voltage supply of the ROD4...plus which has been configured for the application.
- Activate one of the detection field pairs FPS1 to FPS4 by applying +24V to E, G, J, or L.
- Position an object in the **near** detection field of the previously activated detection field pair. The following status indicator appears upon detection of the object by the ROD4...plus (see also chapter 10.2):



Red LED illuminated:  
outputs Fn1 and Fn2 disabled

Yellow LED with continuous light:  
restart-disable active

- Now actuate the restart button and observe the left, green LED. If this LED illuminates, you are no longer in the **near** detection field and the location of the button is suitable. If the LED does not illuminate, there are still objects located within the **near** detection field. In this case, change the location of the button and perform the test again.

## 5.7 Integration in the control system

The two following examples illustrate possibilities for integrating into a control system.

After connecting the operating voltage at PIN Y1-A (+U<sub>B</sub>) to PIN Y1-C (GND) and activating at least one of the detection field pairs (Y1-E, Y1-G, Y1-J or Y1-L), the device is ready for operation.

### 5.7.1 Connection example 1: without detection field pair switch

**Integrating the ROD4...plus with discrete external wiring with relay or contactor without detection field pair switch:**

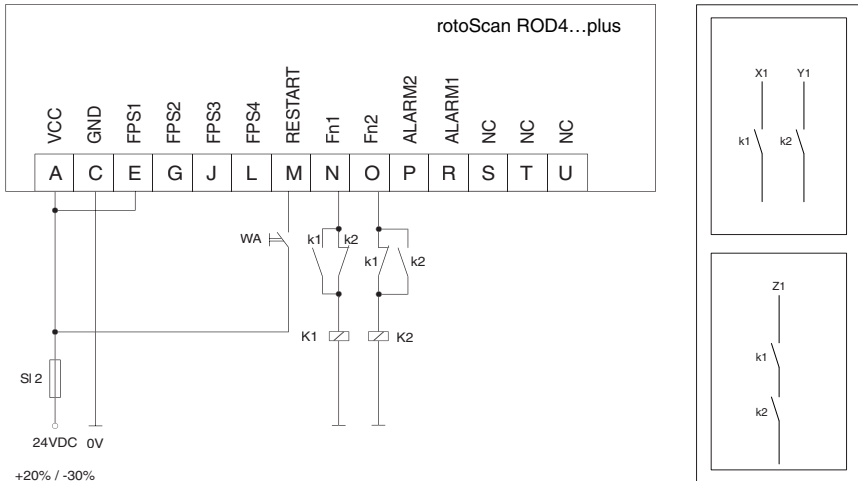


Figure 5.5: Connection example without detection field pair switch

With this connection example, the restart-disable is realised by means of the command device "WA" connected at the RESTART input (Y1-M). The device must, in this case, be configured with the software in such a way that the operating mode "with restart-disable" is active.

Detection field pair switch is not provided in this example. For this purpose, directly connect FPS1 (Y1-E) to the operating voltage VCC. The relays K1 and K2 used here have overlapping contacts (make before break) and are operated directly at the two semiconductor outputs Fn1 (Y1-N) and Fn2 (Y1-O).

The two semiconductor outputs possess an internal electronic current limit and are protected in the event of errors by fuse SI 2.



5.7.2 Connection example 2: with detection field pair switch

**Integrating the ROD4...plus with discrete external wiring with relay or contactor with detection field pair switch:**

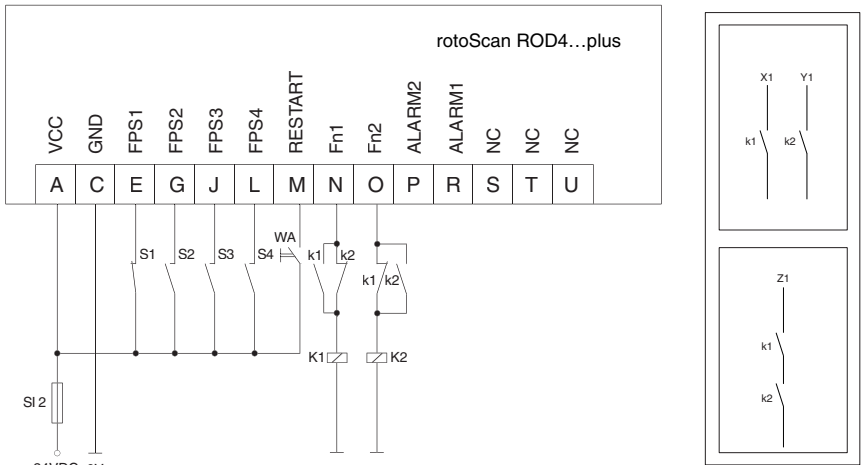


Figure 5.6: Connection example with detection field pair switch

In this example, a detection field pair switch of 4 detection field contours is possible via inputs FPS1 (Y1-E), FPS2 (Y1-G), FPS3 (Y1-J) and FPS4 (Y1-L) (one near and one far contour for each). The restart-disable and contactor monitoring are realised via the RESTART input.

The ROD4...plus is operated in this case in the operating mode "with restart-disable". The currently active, violated detection field is released by the command device "WA". The relays K1 and K2 used here have overlapping contacts (make before break) and are operated directly at the two secure semiconductor outputs Fn1 (Y1-N) and Fn2 (Y1-O).

## 6 Commissioning

By means of appropriate configuration with the aid of the **RODplussoft** (for the measurement function) or **RODsoft** (for the detection/switching function) configuration software, the user can adapt the ROD4...plus to the given application conditions.

### 6.1 Hardware and software requirements

First steps with the device require the basis ROD4...plus unit, an interface cable and a PC. For the voltage supply, a power supply unit possessing the characteristics described in chapter "Technical data" on page 41 is required.

The PC used should meet the following requirements:

- Intel® processor at Pentium® level or faster (or compatible models, e.g. AMD®)
- At least 512 MB RAM
- CD-ROM drive
- Hard disk with at least 150 MB available memory.
- RS 232 interface for configuring the ROD4...plus
- Ethernet interface or, alternatively, the RS 232 / RS 422 for measurement data transfer
- Microsoft® Windows 2000/XP SP2
- Microsoft® .NET Framework 2.0 SP1

The **RODplussoft** or **RODsoft** configuration software can be found on the supplied CD. To install, follow the instructions in the respective readme files, which can likewise be found on the supplied CD.

### 6.2 Device configuration

If you would only like to configure the measurement functions of the ROD4...plus, it is sufficient to install **RODplussoft**.

If you would like to configure the detection functions of the ROD4...plus, you must install **RODplussoft and RODsoft**. **RODsoft** is called up via **RODplussoft**. The use of interface **Y3** for device configuration is a prerequisite for using **RODsoft**.



#### **Notice!**

*The programs are described in the manuals, which can likewise be found on the supplied CD as PDF files.*

### 6.2.1 Configuring measurement applications with RODplussoft

#### **Commissioning procedure:**

- Install the **RODplussoft** configuration software on the PC (setup.exe)
- Connect the ROD4...plus to the PC via the KB-ROD4plus... cable
- Start **RODplussoft**
- Define and configure interfaces for configuration and process data.



#### **Notice!**

*Before commissioning the device, you must adjust the device parameters and the measurement function for your application. To do this, configure the transmission parameters and measurement segments using the user manual for the **RODplussoft** software.*

### 6.2.2 Selecting the measurement data protocol

The measurement data can be transferred using 2 different protocols.

A detailed description of protocols and software can be found in document "ROD4plus software and protocol description". The individual protocols are described briefly in the following.

#### **ROD4-compatible binary protocol**

The **ROD4-compatible** binary protocol is preset ex-works as the protocol for the ROD4...plus. Its structure is fixed and cannot be modified by the user. It is designed for simple and fast measurement tasks and is also used for configuring the switching function of the ROD4...plus.

The protocol is very fast and efficient due to the fact that a measurement value is transferred with 2 bytes. It can be used to define a measurement segment with start and stop angle and the angular resolution (angular separation of two successive measurements in the segment). All configuration data which are transferred to the ROD4...plus using this protocol are stored in the parameter memory of the ROD4...plus and are retained even after the ROD4 is switched off.

#### **ASCII Remote**

The **ASCII Remote** protocol is used to configure the ROD4...plus using so-called online commands via a terminal program. RODplussoft offers one such terminal window: the Toolbox.

The advantage of the ASCII format over the binary protocol is that it can be read directly on the PC without any additional software. This protocol is, however, slower. As a result, more data must be transferred.

Using the ASCII-Remote protocol, up to 12 mutually independent measurement segments can be defined and the measurement task can be continuously changed during operation.

As a result, the control can e.g. be programmed for a driverless transportation system in such a way that a rough scan of the entire area in front of the ROD4...plus is performed during normal operation. Upon detection of an obstacle, a new measurement segment can be defined around the obstacle. Measurement is then performed with the maximum possible accuracy within this area.

In addition, it is possible to filter the measurement values prior to transfer and, thus, only transfer measurement values which lie in a freely configurable coordinate range.

Furthermore, instead of individual coordinate values, it is possible to transfer only the extreme values within the individual measurement segments.



**Notice!**

*The transferred configuration data are stored in the ROD4...plus. They are, however, stored in volatile memory, i.e. they are lost when the ROD4...plus is switched off.*

### 6.2.3 Defining detection fields with RODsoft

**Commissioning procedure:**

- Install the **RODsoft** configuration software on the PC (setup.exe)
- Connect the ROD4...plus to the PC via the KB-ROD4plus... cable
- Use the **Start RODsoft** menu option to start **RODsoft** from within **RODplussoft**
- Enter password "**ROD4LE**" in level "authorised customer"

**Short description:**

The detection field can then be displayed under "Display measurement contour". Under "ROD4 configuration" the response times, the detection field switches and other parameters are defined. To configure the detection fields, select the "Define detection areas" field. Error codes and other information are contained in the ROD4 system data. A detailed description can be found in the user manual for the **RODsoft** configuration software.

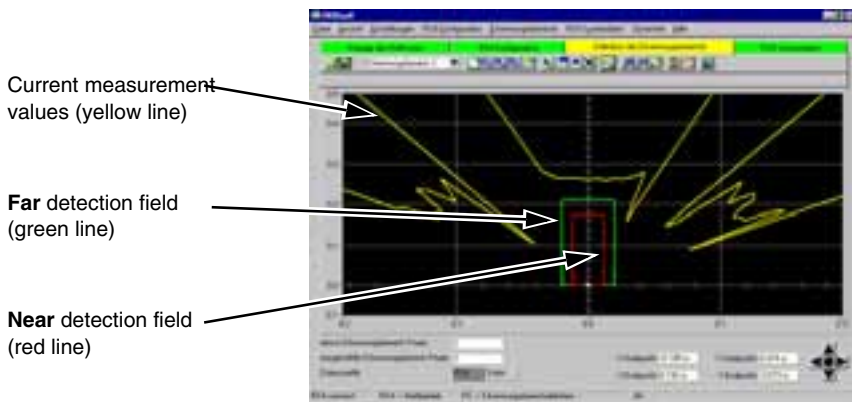


Figure 6.1: User interface of the **RODsoft** configuration software



**Notice!**

*Before commissioning the device, you must adjust the device parameters and the detection fields for your application. To do this, configure the ROD4...plus using the **RODsoft** software user manual so that the detection fields are optimised for the monitoring task.*

### **6.3 Screwing down and aligning the device**

The ROD4...plus is to be mounted and aligned as described in chapter 4.

### **6.4 Switching on the device**

Once the device is installed, the required device parameters set and the detection fields defined, the ROD4...plus can be put into operation.

After you have switched on the voltage supply of the ROD4...plus, illumination of the red LED on the interface box indicates the operational readiness of the ROD4...plus.

## 7 Testing and maintenance

### 7.1 Testing

If detection fields are defined, the response of the detection fields should be monitored to ensure the availability.

### 7.2 Cleaning

The front cover should be cleaned at regular intervals (application dependent) with a soft cloth and commercially available, non-aggressive glass cleaner.



**Attention!**

*Do not use solvents or cleaning agents containing acetone. Use of improper cleaning agents can damage the optical window.*

If window monitoring continues to report a soiled cover even after cleaning, it must be replaced with a new front cover.

## 8 Delivery contents and accessories

### 8.1 Scope of delivery

The **basic unit** consists of:

- rotoScan ROD4...plus

Part No.	Type designation	Remark
501 06481	ROD4plus	Area scanning distance sensor with UL approval
501 06480	ROD4-08plus	Area scanning distance sensor with heating, reduced dust sensitivity

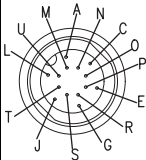
- **RODplussoft** configuration software
- **RODsoft** configuration software
- Technical description of the rotoScan ROD4...plus
- Software and protocol description of the **RODplussoft** configurations software
- Software and protocol description of the **RODsoft** configuration software

### 8.2 Accessories

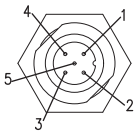
The following **accessories** are available:

Part No.	Type designation	Remark
501 06976	KB-014S-5000-14	Connection cable M16 for ROD4, angular M16 socket on one end, 14-pin, cable length 5m, shielded
501 06977	KB-014S-10000-14	Connection cable M16 for ROD4, angular M16 socket on one end, 14-pin, cable length 10m, shielded
501 09881	KB ET-5000-SA-RJ45	Connection cable M12 Ethernet, PUR, M12 connector, D-coded/RJ-45 connector, cable length 5m
501 09882	KB ET-10000-SA-RJ45	Connection cable M12 Ethernet, PUR, M12 connector, D-coded/RJ-45 connector, cable length 10m
501 06740	KB ET-5000-SA	Connection cable M12 Ethernet, PUR, M12 connector, D-coded/open cable end, 4-pin, cable length 5m
501 06741	KB ET-10000-SA	Connection cable M12 Ethernet, PUR, M12 connector, D-coded/open cable end, 4-pin, cable length 10m
501 06881	KB-ROD4plus-5000	Configuration cable for ROD4, axial M12 connector/Sub-D socket (9-pin), 4-pin, cable length 5m
501 06906	KB-ROD4plus-10000	Configuration cable for ROD4, axial M12 connector/Sub-D socket (9-pin), 4-pin, cable length 10m
501 04590	K-D M12A-8P-5m-PUR	Connection cable M12 RS 232/RS 422, axial M12 socket/open cable end, 8-pin, cable length 5m
501 06882	K-D M12A-8P-10m-PUR	Connection cable M12 RS 232/RS 422, axial M12 socket/open cable end, 8-pin, cable length 10m
50108991	D-ET1	RJ45 connector for Industrial Ethernet, freely configurable
500 38066	BT ROD4	Mounting system for ROD4

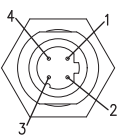
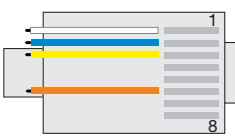
### 8.2.1 Pin assignments KB-014S-...-14

M16 socket	PIN	Signal	Core colour
	<b>A</b>	U <sub>B</sub>	red
	<b>C</b>	GND	blue
	<b>E</b>	FPS1	pink
	<b>G</b>	FPS2	grey
	<b>J</b>	FPS3	yellow
	<b>L</b>	FPS4	green
	<b>M</b>	Restart	brown
	<b>N</b>	Fn1	white
	<b>O</b>	Fn2	violet
	<b>P</b>	ALARM2	black
	<b>R</b>	ALARM1	white-green
	<b>S</b>	NC	red-blue
	<b>T</b>	NC	brown-green
	<b>U</b>	NC	grey-pink

### 8.2.2 Pin assignments KB-ROD4plus...

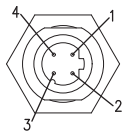
M12 connector	PIN	Signal	Core colour	PIN on Sub-D socket
	<b>1</b>	NC	brown	-
	<b>2</b>	TxD	white	<b>2</b>
	<b>3</b>	GND	blue	<b>5</b>
	<b>4</b>	RxD	black	<b>3</b>
	<b>5</b>	NC	grey	-

### 8.2.3 Pin assignments KB ET-...-SA-RJ45 (cross-over cable)

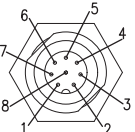
M12-Stecker	PIN	Signal	Core colour	PIN	RJ45
	<b>1</b>	TX+	yellow	<b>3</b>	
	<b>3</b>	TX-	orange	<b>6</b>	
	<b>2</b>	RX+	white	<b>1</b>	
	<b>4</b>	RX-	blue	<b>2</b>	



**8.2.4 Pin assignments KB ET...-SA**

M12 connector	PIN	Signal	Core colour
	1	TX+	yellow
	3	TX-	orange
	2	RX+	white
	4	RX-	blue

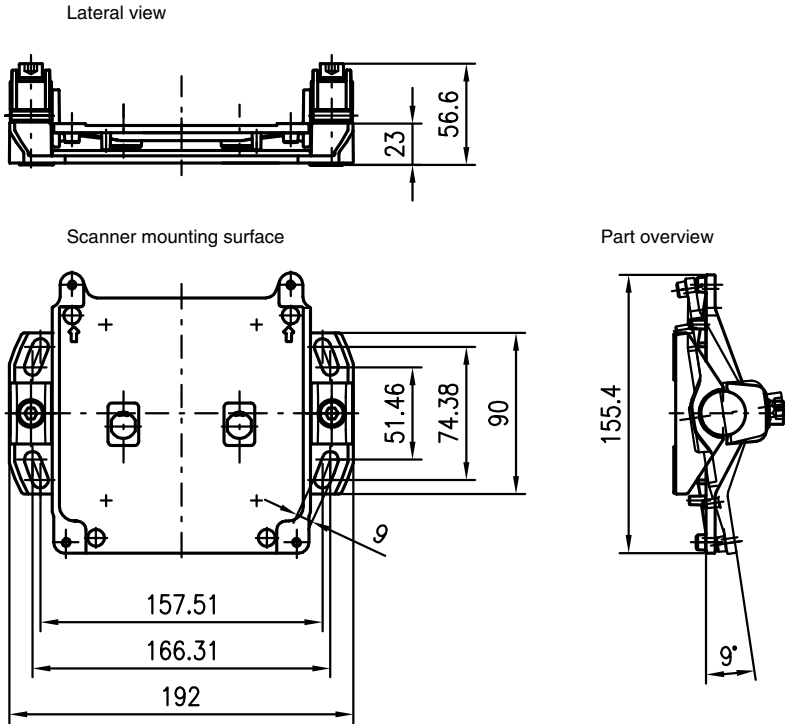
**8.2.5 Pin assignments K-D M12A-8P...**

M12 socket	PIN	Signal	Core colour
	1	Tx+/TxD	white
	2	Tx-	brown
	3	Rx-	green
	4	Rx+ / RxD	yellow
	5	GND/shield	grey
	6	RS 422	pink
	7	NC	blue
	8	NC	red

### 8.2.6 BT ROD4 mounting system

The ROD4...plus can be fastened using the holes on the rear of the device. No mounting kit is necessary in this case. It is, however, recommended that the ROD4...plus be mounted with the aid of the BT ROD4 mounting system. The advantage of this mounting variant lies in the exchangeability of the device. The device can, in this way, be removed from the mounting system and returned at a later time without readjusting the device.

With the aid of the BT-ROD4 mounting system, pitches of maximum 8° downward or upward are possible. In addition, the mounting kit allows lateral inclinations of up to ±4°.



All dimensions in mm

Figure 8.1: Dimensioned drawing BT ROD4...plus

## 9 Technical data

### 9.1 Object measurement

Object measurement	
Detection range	ROD4plus: 0 ... 65m ROD4-08plus: 0 ... 25m
Luminosity coefficient	see figure 9.1
Object size	see figure 9.1
Output	serial interface RS 232, RS 422
Distance resolution	5mm
Angular resolution	0.36°
Repeatability	± 15mm

Table 9.1: Technical data - object measurement

### 9.2 Detection field data

Near detection field	
Radius of near detection field	ROD4plus: 0 ... 30m <sup>1)</sup>
Reflectivity	ROD4plus: from min. 1.8% (matte black) ROD4-08plus: from min. 6%
Object size	see figure 9.1
Response time	at least 40ms (corresponds to 1 scan)
Number of detection field pairs	4 (selectable via switching inputs)
Output	two PNP transistor outputs, 24V/250mA
Start-up	the start-up testing and start disable are configured separately.

Far detection field	
Radius of far detection field	ROD4plus: 0 ... 50m <sup>1)</sup>
Reflectivity	ROD4plus: from min. 1.8% (matte black) ROD4-08plus: from min. 6%
Object size	see figure 9.1
Response time	at least 40ms (corresponds to 1 scan)
Number of detection field pairs	4 (selectable via switching inputs)
Output	one PNP transistor output, max. 100mA

1) Particularly in the far range, the ROD4-08plus only detects large objects and objects with high diffuse reflection

Table 9.2: Technical data - detection fields

### 9.3 Electrical data

Power supply	
Voltage supply <sup>1)</sup>	+24VDC +20% / -30%
Overcurrent protection	via fuse 2.5A (4A with heating) semi time-lag in the switch cabinet
Current consumption	approx. 1A (approx. 2.5A with heating)
Power consumption	24 ... 75W at 24VDC
Overvoltage protection	overvoltage protection with protected limit stop
Voltage dips	acc. to EN 61496-1 (VDE 0113, part 201)

1) Protective Extra Low Voltage (PELV) - protective extra-low voltage with reliable disconnection. For UL applications: only for use in class 2 circuits according to NEC.

Inputs (at Y1)	
Restart/Reset	command device for operating mode with restart-disable and/or device reset; dynamically monitored, 24VDC optically decoupled (activate for 0.12 ... 3s)
Detection field pair switch	selection between max. 4 detection field pairs via four control lines with internal monitoring, 24VDC opto-decoupled

Interfaces <sup>1)</sup>	
Y2 Ethernet	10/100 MBd, TCP/IP peer-to-peer
Y3 Service RS 232	57.6kBd, 8 data bits, no parity, 1 stop bit, setting permanently stored
Y4 RS 232/422	RS 232/422 reversible, factory setting 115kBd, 8 data bits, no parity, 1 stop bit

1) With **RODplussoft**, all three interfaces can be used for configuration. Measurement data can be transferred either via Y2 or Y4.  
**RODsoft** can only communicate with the ROD4...plus via interface Y3.

<b>Outputs (at Y1)</b>	
For <b>near</b> detection field (Fn1, Fn2)	2x semiconductor output, PNP max. 250mA short-circuit monitored, overcurrent protected, load must demonstrate lowpass characteristics, limit frequency $f_g \leq 1$ kHz
For <b>far</b> detection field / soiling (ALARM1)	PNP transistor output, max. 100mA, configurable
For <b>far</b> detection field / warning and error output (ALARM2)	PNP transistor output, max. 100mA, not configurable

Table 9.3: Technical data - electrical data

## 9.4 Software

<b>Object measurement</b>	
Configuration software	configuration software "RODplussoft" under Windows 2000/XP

<b>Object detection</b>	
Configuration software	configuration software "RODsoft" under Windows 2000/XP

Table 9.4: Technical data - software

## 9.5 Optical data

<b>Optical properties</b>	
Angular range	max. 190°
Angular resolution	0.36°
Scanning rate	25scans/s or 40ms/scan
Laser safety class	class 1 (eye safe), DIN EN 60825-1 wavelength = 905 nm beam divergence = 2 mrad time base= 100s
Laser beam	approx. 15mm diameter, distance dependent

Table 9.5: Technical data - optical data

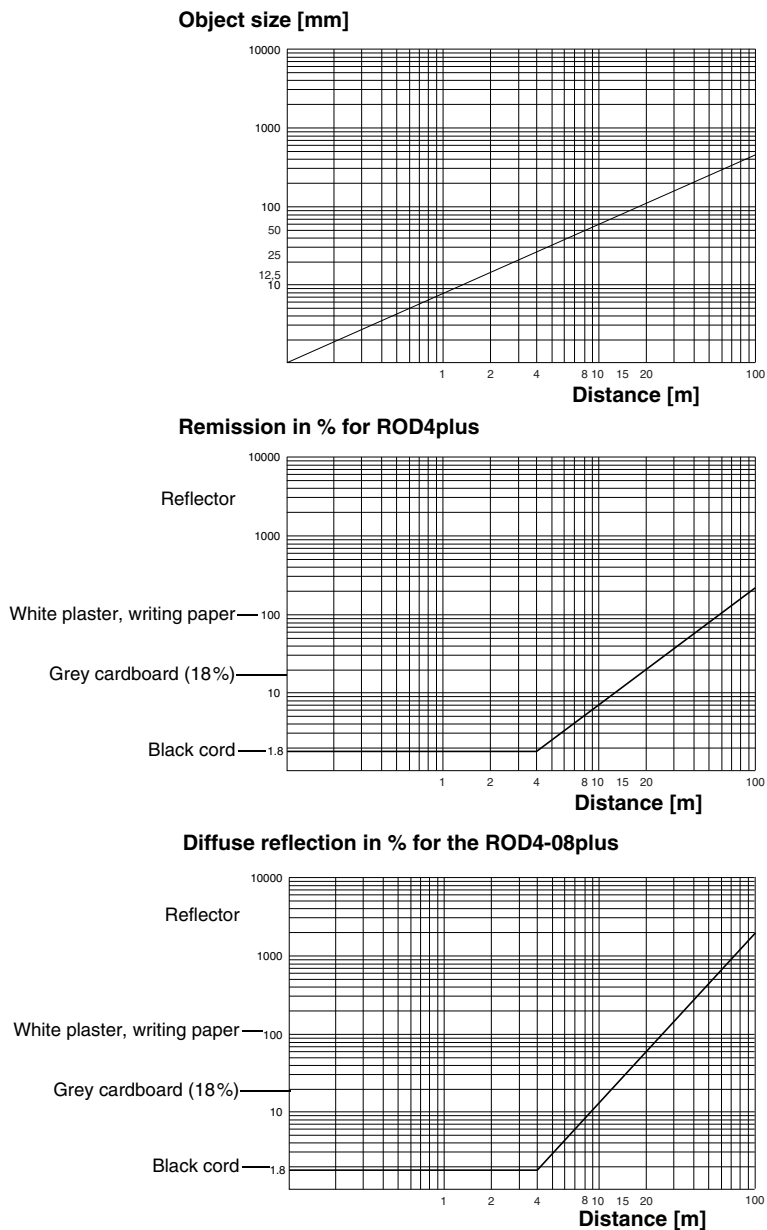


Figure 9.1: Object size/diffuse reflection as a function of distance for the ROD4plus

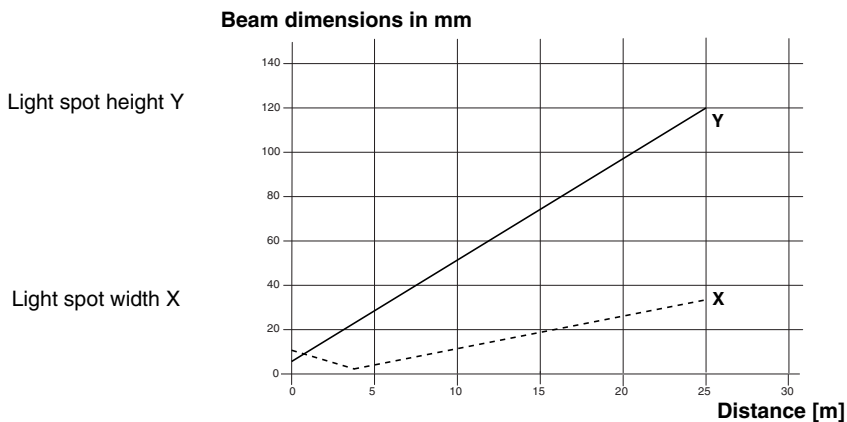


Figure 9.2: Typical beam dimensions with the ROD4...plus

## 9.6 Environmental data

Environmental and material data	
Protection class	IP 65 acc. to IEC 60529
Contact protection	all-insulated, safety class 2
Operating temperature	0°C ... +50°C, with heating -20°C ... +50°C
Storage temperature	-20°C ... +60°C
Humidity	DIN 40040 Table 10, code letter E (moderately dry)
Dimensions	141x167x168 (WxHxD) in mm
Distance from scanning plane to bottom edge of housing	48.75mm
Connection	4 connectors
Cable length	max. 50m with conductor cross-section 0.5mm <sup>2</sup> (valid for Y1, Y2, and Y4 as RS 422)
Transmitter	infrared laser diode ( $\lambda = 905\text{nm}$ )
Housing	diecast aluminium, plastic
Weight	approx. 2.3kg
Vibrating stress	acc. to IEC 60068 part 2 - 6, 10 ... 55Hz max. 5G
Continuous shock	acc. to IEC 60068 part 2 - 29, 10G, 16ms
Interference rejection	as per DIN EN 61496-3 (in accordance with the requirements for type 4) as well as per DIN 40839-1/3 test impulse 1, 2, 3a, 3b and 5 (no application for vehicles with combustion motors)
Rotating mirror drive	brushless DC motor
Rotating mirror bearings	maintenance-free ball bearing

Table 9.6: Technical data - environmental data



9.7 Dimensioned drawing ROD4...plus

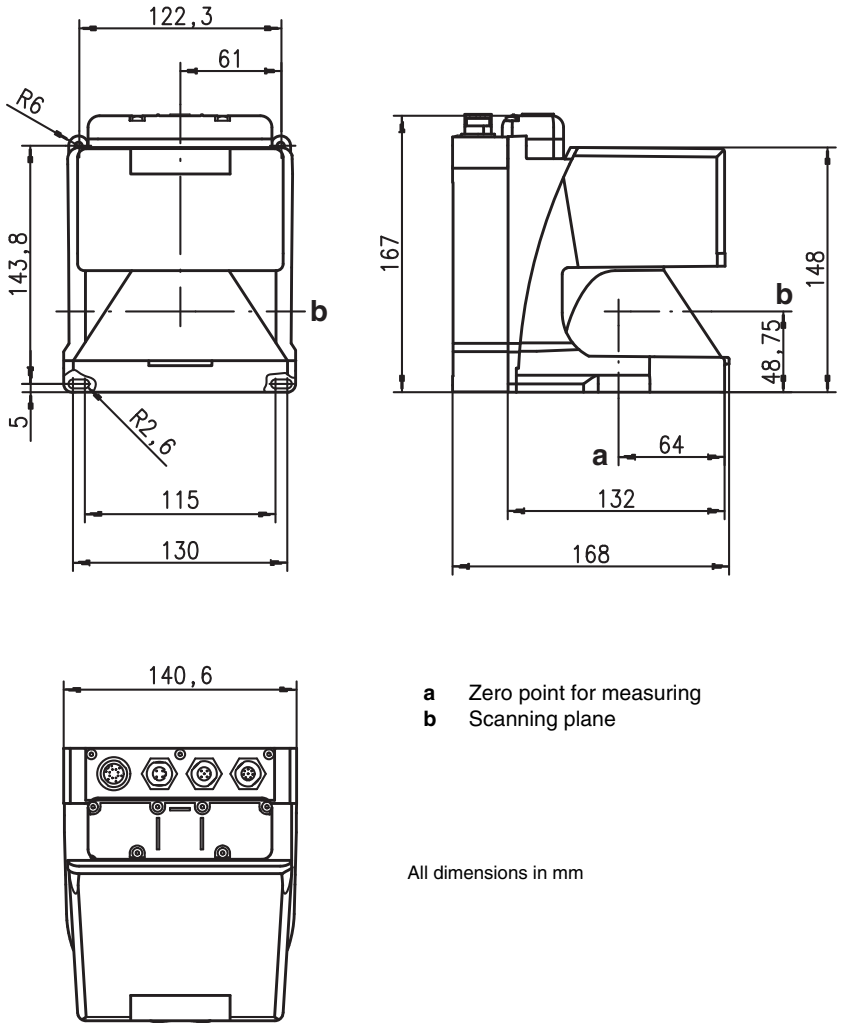


Figure 9.3: Dimensioned drawing ROD4...plus

## 10 Status messages, errors and error rectification

### 10.1 Ethernet status indicator

The state of the Ethernet connection can be read from three LEDs located on top of the connector housing. A cover protects the LEDs from contamination and guarantees protection class IP 65. When in a voltage-free state, the LEDs are hidden from view by this cover.

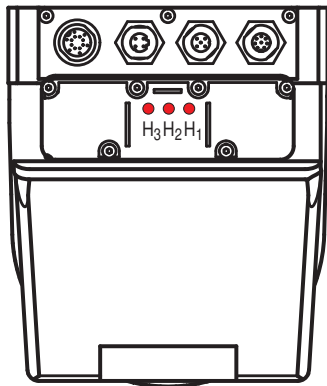


Figure 10.1: Ethernet status indicator

LED	Colour	Function / Meaning
H <sub>1</sub>	red	Ethernet system ready
H <sub>2</sub>	red	Ethernet connection present
H <sub>3</sub>	red	Ethernet data transmission active

## 10.2 ROD4...plus status indicator

The status of the ROD4...plus can be read using the five LEDs on the front side of the device. A white cover protects the LEDs from contamination and guarantees protection class IP 65. When in a voltage-free state, the LEDs are hidden from view by this cover.

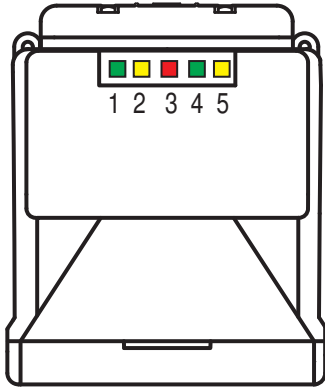


Figure 10.2:ROD4...plus status indicator

LED	Colour	Function / Meaning
1	green	Sensor functions active, <b>near</b> detection field is free
2	yellow	• Continuous light ( <b>CL</b> ): <b>far</b> detection field is occupied
3	red	<b>Near</b> detection field is occupied, Fn outputs are switched off
4	green	<b>Near</b> detection field is free, Fn outputs are active
5	yellow	• Slowly flashing ( <b>SF</b> ) at approx. 1Hz:    warning message • Flashing fast ( <b>FF</b> ) at approx. 4Hz:        error message • Continuous light ( <b>CL</b> ):                      restart-disable locked

### 10.2.1 Status displays



**Notice!**

The rotoScan ROD4...plus outputs two different types of messages at output "ALARM1":  
**Warning message** - Information for the user indicating that a non-critical danger area (e.g. window contamination) has been detected in the device.  
**Error message** - System has detected a critical device error and switches off the semiconductor outputs Fn1 and Fn2.





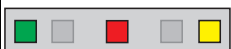


LED	Status
	<ul style="list-style-type: none"> <li>Near detection field is free,</li> <li>Fn outputs (Y1-N, Y1-O) are enabled.</li> </ul>
	<ul style="list-style-type: none"> <li>Near detection field is free,</li> <li>Fn outputs (Y1-N, Y1-O) are enabled,</li> <li>Far detection field is occupied</li> <li>Output Y1-R "ALARM1" is enabled</li> </ul>
 SF	<ul style="list-style-type: none"> <li>Near detection field is free,</li> <li>Fn outputs (Y1-N, Y1-O) are enabled,</li> <li>Warning message due to e.g. soiled front cover</li> </ul> <p>SF = slow flashing of the yellow LED</p>
 CL	<ul style="list-style-type: none"> <li>Near detection field is occupied,</li> <li>Fn outputs (Y1-N, Y1-O) are disabled,</li> <li>Restart-disable is active</li> </ul> <p>CL = yellow LED continuously illuminated</p>
 CL	<ul style="list-style-type: none"> <li>Near detection field is free,</li> <li>Fn outputs (Y1-N, Y1-O) are disabled,</li> <li>Restart-disable is active</li> </ul> <p>CL = yellow LED continuously illuminated</p>
 FF	<ul style="list-style-type: none"> <li>Near detection field is occupied,</li> <li>Fn outputs (Y1-N, Y1-O) are disabled,</li> <li>Output "ALARM1" (Y1-R) is enabled</li> </ul> <p>FF = fast flashing of the yellow LED</p>

Table 10.1: Status displays on the rotoScan ROD4...plus

### 10.3 Diagnostic codes and causes

All errors which occur in the ROD4 during operation are stored in an error list in the device. You can only call up this list with the **RODsoft** software. On the toolbar, click  or select **System data** → **Load diagnostic data from scanner** on the menu bar.

The error messages from the last 8 events are documented. This first memory slot always contains the most recent error message.

Listed in the following table are all errors together with corresponding troubleshooting notices:

<b>Code</b>	<b>Description</b>	<b>No.</b>	<b>Error description</b>
102	Command processing, processing of messages	2	Data transmission error on the configuration interface
103	Control of command processing	2	Data transmission error on the configuration interface
104	Command processing, processing of the configuration	2	Data transmission error on the configuration interface
105	Command processing, generation of output messages	6	Function, access, command not permitted at currently selected authority level
201	Processing of the receive protocol	4	Too much data transferred via the configuration interface; message overwritten by new message
302	Processing of the transmit protocol	2	Data displayed for inspection not acknowledged quickly enough
306	Output of measurement values	5	Previous message not output completely
801	Event processing	2	Event memory cannot be read, internal defect
805	Processing the command for the event memory	6	Event memory cannot be transferred, data transmission error at the configuration interface
1002	Motor control during initialisation	1	Motor does not reach nominal rotational speed after start-up; internal defect
1002	Motor control during initialisation	2	Motor speed not constant after start-up; internal defect
1003	Motor control during initialisation	1	Motor does not reach nominal rotational speed after start-up; internal defect
1003	Motor control during initialisation	2	Motor speed not constant after start-up; internal defect
1003	Motor control during initialisation	3	Motor speed not constant after start-up; time-out
1110	Test of the switching outputs	4	Switching outputs Fn1/Fn2 have a state other than that which is expected by the ROD4...plus; possible wiring or control error
1110	Test of the switching outputs	5	Switching output Fn1/Fn2 does not switch off
1110	Test of the switching outputs	6	Switching output Fn1/Fn2 does not switch on
1111	Short-circuit test of the switching outputs	7	A switching output Fn1/Fn2 is short circuited with ground

Table 10.2: ROD4...plus - Diagnostic codes and causes

Code	Description	No.	Error description
1111	Short-circuit test of the switching outputs	8	A switching output Fn1/Fn2 is short circuited with Vcc
1606	Rotational speed monitoring	4	Rotational speed deviation; zero pulse was not correctly detected; internal defect
1607	Monitoring the duration of a scan	5	Rotational speed deviation; motor not at nominal rotational speed
1608	Rotational speed monitoring	8	Motor speed not constant during operation
1608	Rotational speed monitoring	9	Motor speed not constant during operation
1608	Rotational speed monitoring	10	Motor speed not constant during operation
1705	Processing of the window-monitoring photoelectric sensor data	2	Signal from photoelectric sensor of the front-cover monitor above upper limit; liquid media on front cover
1906	Test of the external watchdog	1	Watchdog does not release the Fn outputs; possible wiring or control error
1906	Test of the external watchdog	2	Watchdog does not release the Fn outputs; internal defect
1906	Test of the external watchdog	5	Switching outputs Fn1/Fn2 have a state other than that which is expected by the ROD4...plus; possible wiring or control error
1906	Test of the external watchdog	6	Watchdog does not switch off the shutdown path for the laser; internal defect
1907	Test of the external watchdog	4	Event detected by watchdog; watchdog has switched off (rotational speed deviation); possible rotation of the ROD4...plus housing
1907	Test of the external watchdog	7	Event detected by watchdog; watchdog has switched off (rotational speed deviation); possible rotation of the ROD4...plus housing
2002	Processing of the parameter command	12	Data displayed for inspection not acknowledged quickly enough
2007	Check of received parameter data	18	Date of the currently transferred detection field is older than the date of the detection field in the ROD4...plus
2201	Field monitoring	5	Number of measurements in the scan too small due to rotational speed deviation of the motor or switching off of the watchdog; internal fuse defective
2302	Control of software execution	1	Error occurred during ROD4...plus start-up, secondary error

Table 10.2: ROD4...plus - Diagnostic codes and causes

Code	Description	No.	Error description
2401	Reference measurement on the dark reference element	10	No distance value can be calculated for reference measurement; glare from other light sources (905nm) or rotational speed deviation
2401	Reference measurement on the dark reference element	13	No distance value can be calculated for reference measurement; dust in device because connector housing or dummy cap not screwed down
2402	Reference measurement on the light reference element	10	No distance value can be calculated for reference measurement; glare from other light sources (905nm) or rotational speed deviation
2701	Processing of messages for system diagnostics	1	Invalid diagnostic command received, software incompatible with firmware
2702	Processing of requests for diagnostic data	3	Invalid diagnostic value requested, software incompatible with firmware
2800	Processing of the inputs for detection field switching	2	2 detection fields active for longer than 1 s
2800	Processing of the inputs for detection field switching	3	The detection field switching which occurred does not match the preset which was programmed in the ROD4...plus
2800	Processing of the inputs for detection field switching	4	More than 2 detection fields selected during operation
2800	Processing of the inputs for detection field switching	6	Unusable data or inadequate data quality for detection field activation
2801	Test of the inputs for detection field switching	1	Error while testing the inputs for detection field switching; internal defect
2802	Initialisation of detection field switching	3	The detection field activation which occurred does not match the preset which was programmed in the ROD4...plus
2802	Initialisation of detection field switching	4	More than 2 detection fields selected during power-on
2802	Initialisation of detection field switching	6	Unusable data or inadequate data quality for detection field activation
2802	Initialisation of detection field switching	8	No detection field activated during start-up of the ROD4...plus
3016	Monitoring of the access authorisation with one-time password	11	Confirmed single password has been entered incorrectly

Table 10.2: ROD4...plus - Diagnostic codes and causes

## 11 Appendix

### 11.1 Terms and abbreviations ROD4...plus

#### ALARM1

Configurable output for displaying the violation of detection fields and for various fault and warning messages.

#### ALARM2

Output for signalling fault and warning messages.

#### Angular segment

The working range of the ROD4...plus is divided into 529 angular segments. An angular segment corresponds to  $0.36^\circ$ . One measurement value is transmitted per angular segment.

#### Fn

Short version of the term **near detection field**.

#### Far detection field

max. detection range 50m (25m for ROD4-08plus), object detection within the **far** detection field affects output ALARM (pin Y1-P) depending on the configuration. The **far** detection field is represented in the user interface of the **RODsoft** configuration software by the colour green.

#### Ff

Short version of the term **far detection field**.

#### FP

Field pair, detection field pair;

The configuration software can be used to configure a total of 4 field pairs in the ROD4...plus, each with 2 detection fields (**near** and **far**).

#### FPS

Field pair switch.

#### FPS1

Field pair switch to field pair 1.

#### Measurement segment

Area defined by start angle and stop angle whose measurement values are transmitted by the ROD4...plus.

#### Near detection field

Max. detection range 30m, object detection within the **near** detection field affects outputs Fn1 (pin Y1-N) and Fn2 (pin Y1-O). The **near** detection field is represented in the user interface of the **RODsoft** configuration software by the colour red.

#### Working range

The working range of the ROD4...plus ( $190^\circ$  - from  $-5.04^\circ$  to  $185.04^\circ$ ) is divided into  $0.36^\circ$  angular segments (corresponds to 529 measurement values). See "Working range and angular resolution" on page 12.